

## V5329A FLANGED LINEAR VALVE PN16

### SPECIFICATION DATA



### APPLICATION

These three port mixing valves are used for modulating control of hot or chilled water in heating, ventilation and air conditioning systems and can be operated by electric linear actuators as ML6420/6425, ML7420/7425, M6421/7421 or by pneumatic actuators MP953.

### FEATURES

- Cast iron body with flanged end connections
- Metal to metal seating for long life span
- Self adjusting packing
- Accurate positioning to ensure state of the art temperature control
- Direct coupled electric and pneumatic actuators for easy mounting
- Constant total flow throughout full plug travel

### SPECIFICATIONS

<b>Action</b>	Stem up to close port A-AB
<b>Nominal pressure rating</b>	PN16
<b>Flow characteristic</b>	Equal percentage port A-AB, linear port B-AB
<b>Rangeability</b>	50:1
<b>Leakage rate</b>	≤0.5 % of $k_{VS}$ port A-AB ≤1 % of $k_{VS}$ port B-AB
<b>Stroke</b>	20 mm
<b>Valve body</b>	
End connections	Flanged per ISO 7005-2
Material	Cast iron (GG25)
Dimensions	See Fig. 1
<b>Trim</b>	
Seat	Body integrated
Plug	Stainless steel, skirt guided
Stem	Stainless steel
<b>Packing</b>	Spring loaded PTFE cone rings
<b>Medium temperature and max. pressure</b>	
PN16	2 ... 120 °C; 1600 kPa 120 ... 150 °C; 1440 kPa 150 ... 170 °C; 1370 kPa
<b>Maximum temperature differential in alternating hot/cold water use</b>	60 K

## SIZES AND FLOW CAPACITIES

Order Number	Valve Size	k <sub>vs</sub>
V5329A2077	DN65	63.0
V5329A2085	DN80	100.0

## INSTALLATION

- Water should meet VDI 2035 requirements.
- Do not install valve with stem below the horizontal.
- Fluid flow must correspond with the arrow direction on the valve body.
- The installation of a strainer is strongly recommended.

## REPAIR PACKING KIT

Part No.: R 43 176 754 - 002 (DN40...80)

## CLOSE OFF PRESSURE RATINGS IN kPa

### Pneumatic actuators

Actuator Model MP953	Size (in)	Acting		Actuator Spring Range	Air Pressure in Actuator	Positioner	Closed Valve Seat	Valve Size	
		dir.	rev.					DN65	DN80
A5039, C5084	8	x		27-76kPa (4-11PSI)	0kPa 115kPa	yes no	lower upper	120 200	70 120
C5076	8	x		55-83kPa (8-12PSI)		no		300 150	190 90
D5025	7		x	27-76kPa (4-11PSI)		no	lower upper	50 100	20 60
B5003, D5009	7		x	55-90kPa (8-13PSI)		yes no		170 70	100 40

**Electric actuators**

Actuator		Valve Size	
Model	Force	DN65	DN80
ML6420A, ML6425A,B ML7420A, ML7425A,B	600 N	160	100
ML6421A, ML7421A	1800 N	650	400

**DIMENSIONS (mm)**

**Valve**

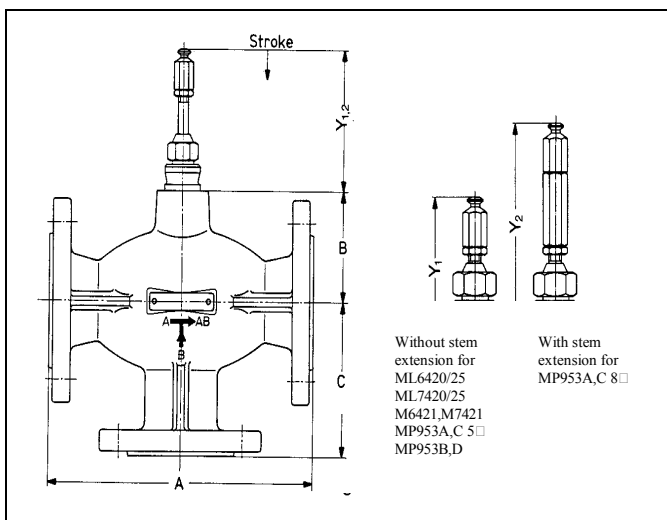


Fig. 1 V5329A

Valve Size	A	B	C	Y <sub>1</sub>	Y <sub>2</sub>
DN65	290	105	145	107 port A-AB closed	151 port A-AB closed
DN80	310	112	155		

**Pneumatic actuators**

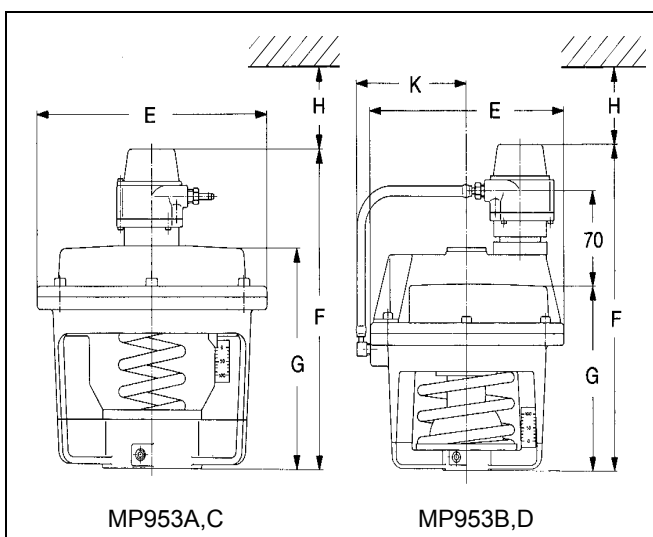


Fig. 2 MP953A,B,C,D

Model	E	F	G	H	K
MP953A 5"	130	192	-	120	-
MP953C 5"		-	120		-
MP953A 8"	210	237	-	140	-
MP953C 8"		-	165		-
MP953B	180	242	-	120	107
MP953D		-	137		

Electric actuators

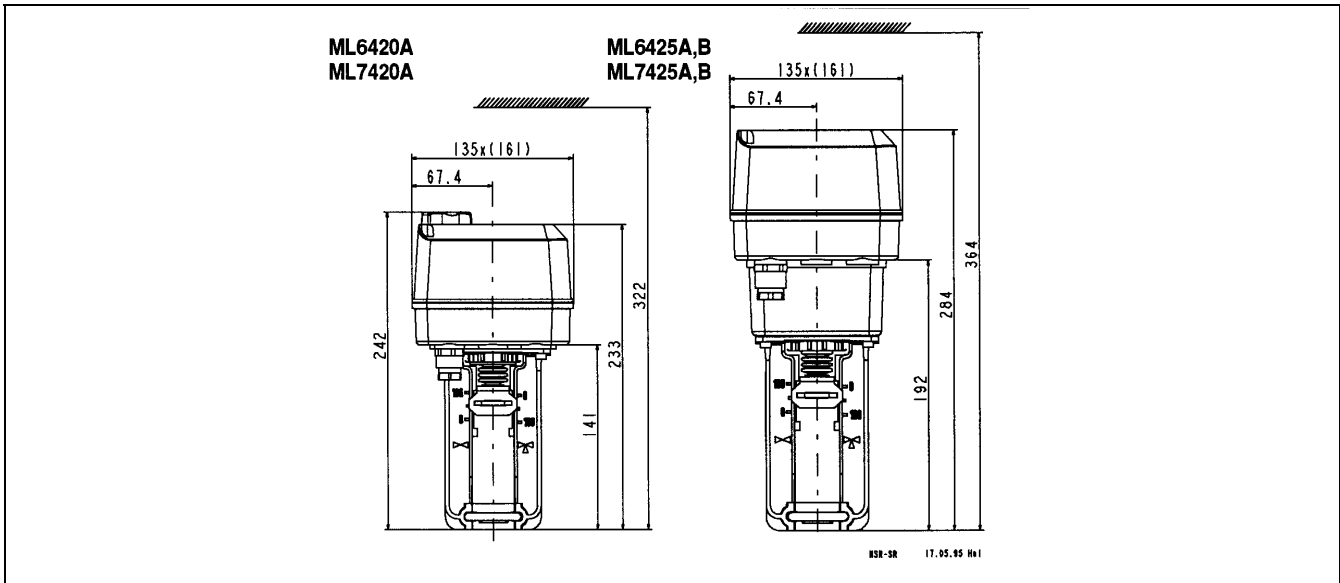


Fig. 3 ML6420A/6425A,B ML7420A/7425A,B

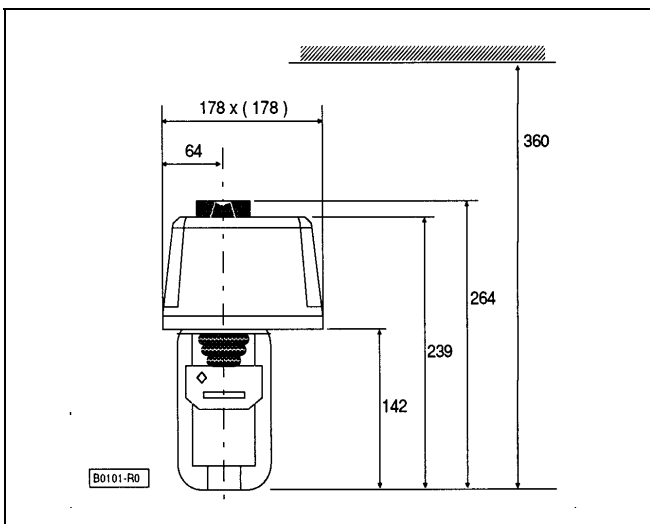


Fig. 4+ ML6421A, ML7421A

**Honeywell**

**Automation and Control Solutions**

Honeywell Taiwan Ltd.  
 10F, 168 Lien Cheng Road  
 Chung Ho City, Taipei County, Taiwan  
 Phone: +886-2-2245 1000  
 Fax: +886-2-2245 3241

Subject to change without notice. Printed in Taiwan

APEN0H-001TW01A0604