

V5328A FLANGED LINEAR VALVE PN16

SPECIFICATION DATA



GENERAL

These single-seated valves are used for modulating control of hot / chilled water or steam in heating, ventilating and air conditioning systems.

The valves can be operated by linear actuators ML6420/ML6425, ML7420/ML7425, ML6421/ML7421, or by pneumatic actuators MP953.

FEATURES

- Iron body with flanged end connections
- Low seat leakage rate
- Metal-to-metal seating for long life span
- Self-adjusting packing
- Accurate positioning to ensure state-of-the-art temperature control
- Easy mounting of direct-coupled electric and pneumatic actuators
- Approved according to DIN 32730

SPECIFICATIONS

Action	Stem down to close
Nominal pressure rating	PN16
Flow characteristic	Equal percentage, $n_{gl} = 3.4$
Rangeability	50:1
Leakage rate	$\leq 0.05\%$ of k_{VS} up to DN50 $\leq 0.1\%$ of k_{VS} DN65 to DN150
Stroke	20 mm (DN15 to DN 80) 38 mm (DN100 to DN150)
Valve body	
End connections	Flanged per ISO 7005-2
Material	Cast iron (GG25)
Dimensions	See Fig. 1
Trim	
Seat	Stainless steel, replaceable
Stem	Stainless steel
Plug	Stainless steel, skirt guided
Packing	Spring loaded PTFE cone rings
Medium temperature and pressure	
20 mm	2...120 °C; max. 1600 kPa 120...150 °C; max. 1400 kPa 150...170 °C; max. 1370 kPa
38 mm	2...120 °C; max. 1600 kPa 120...150 °C; max. 1440 kPa 150...200 °C; max. 1280 kPa
Maximum temperature differential in alternating hot/cold water use	60 K

SIZES AND FLOW CAPACITIES

order number	valve size	k _{vs}
V5328A1138	DN15	0.25
V5328A1146	DN15	0.40
V5328A1153	DN15	0.63
V5328A1005	DN15	1.00
V5328A1013	DN15	1.60
V5328A1021	DN15	2.50
V5328A1039	DN15	4.00
V5328A1047	DN20	4.00
V5328A1054	DN20	6.30
V5328A1062	DN25	10.00
V5328A1070	DN32	16.00
V5328A1088	DN40	25.00
V5328A1096	DN50	40.00
V5328A1104	DN65	63.00
V5328A1112	DN80	100.00
V5328A1195	DN100	160.00
V5328A1203	DN125	250.00
V5328A1211	DN150	360.00

INSTALLATION

- Water should meet VDI 2035 requirements.
- Do not install valve with stem below the horizontal.
- Fluid flow must correspond with the arrow direction on the valve body.
- The installation of a strainer is strongly recommended.

REPAIR PACKING KIT

Part no.: R 43 176 754 - 001 (DN15...32)
 R 43 176 754 - 002 (DN40...80)
 R 43 176755 - 005 (DN100...150)

ACTUATORS

Electric Actuators

force	600 N	600 N spring return	1800 N	
model	ML6420A ML7420A	ML6425A,B ML7425A,B	M6421A M7421A	M6421B M7421B
stroke	20 mm			38 mm
size	DN15-80			DN100-150

Pneumatic Actuators

valve size	pneumatic actuator		action		positioner
	model	size	direct	reverse	
DN 15-80	MP953A MP953B	5", 8" 7"	x	x	yes
	MP953C MP953D	5", 8" 7"	x	x	no
DN 100-150	MP953A MP953C	13"	x	-	yes no

DIMENSIONS (MM) VALVE

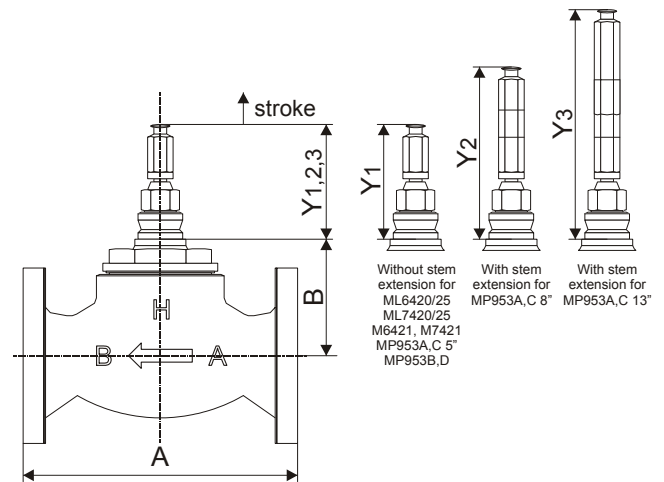


Fig. 1. V5328A

valve size	A	B	adjustment dimension (valve in closed position)		
			Y1	Y2	Y3
15	130	72	89	133	-
20	150				
25	160				
32	180	157			
40	200				
50	230				
65	290	157			
80	310				
100	350				
125	400	157	133	-	190
150	480				

CLOSE OFF PRESSURE RATINGS in kPa

Electric Actuators

actuator		valve size									
model	force	DN15 k _{VS} 0.25 -1.0	DN15 k _{VS} 2.5 -4.0	DN 20/25	DN 32	DN 40	DN 50	DN 65	DN 80	DN 100	DN 125/150
ML6420A, ML6425A,B ML7420A, ML7425A,B	600 N	1600	1000	1000	600	350	200	120	50	-	-
M6421A,B, M7421A,B	1800 N	1600	1600	1600	1600	1300	750	500	230	230	90

Pneumatic Actuators

actuator MP953	actuator spring range	air pressure in actuator	valve size										
			DN15 k _{VS} 0.25 -1.60	DN15 k _{VS} 2.5 -4.0	DN 20	DN 25	DN 32	DN 40	DN 50	DN 65	DN 80	DN 100	DN 125/150
C 5"	14...48 kPa (2...7 PSI)	115 kPa	1600	750	750	750	430	260	130	70	30	-	-
A,C 5"	27...76 kPa (4...11 PSI)		1600	430	430	430	240	130	70	-	-	-	-
C 5"	55...83 kPa (8...12 PSI)		1600	240	240	240	120	60	20	-	-	-	-
C 8"	14...48 kPa (2...7 PSI)		1600	1600	1600	1600	1600	1000	760	400	180	-	-
A,C 8"	27...76 kPa (4...11 PSI)		1600	1500	1500	1500	900	560	360	190	80	-	-
C 8"	55...83 kPa (8...12 PSI)		1600	1200	1200	1200	710	440	300	140	60	-	-
D 7"	27...76 kPa (4...11 PSI)	0 kPa	1600	590	590	590	340	200	120	50	15	-	-
B,D 7"	55...90 kPa (8...13 PSI)		1600	1370	1370	1370	810	500	350	160	70	-	-
C 13"	14...48 kPa (2...7 PSI)	115 kPa	-	-	-	-	-	-	-	-	-	620	250
A,C 13"	27...76 kPa (4...11 PSI)		-	-	-	-	-	-	-	-	-	320	120

Pneumatic Actuators

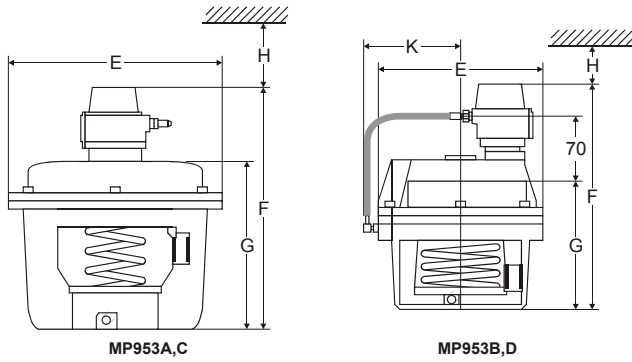


Fig. 2. MP953A,B,C,D (dimensions in mm)

NOTE: V5328A valves up to DN50 in combination with the following actuators are approved according to DIN EN 14597.

Actuator O.S. No.	DIN Registration No.
ML6425A3006 ML6425A3014 ML7425A6008	1F139/08
MP953B5003 MP953D5009	1F12392

Model	E	F	G	H	K
MP953A 5"	130	192	-	120	-
MP953C 5"		-	120		
MP953A 8"	210	237	-	140	
MP953C 8"		-	165		
MP953A 13"	343	327	-	200	
MP953C 13"		-	255		
MP953B	180	242	-	120	107
MP953D		-	137		

Electric Actuators

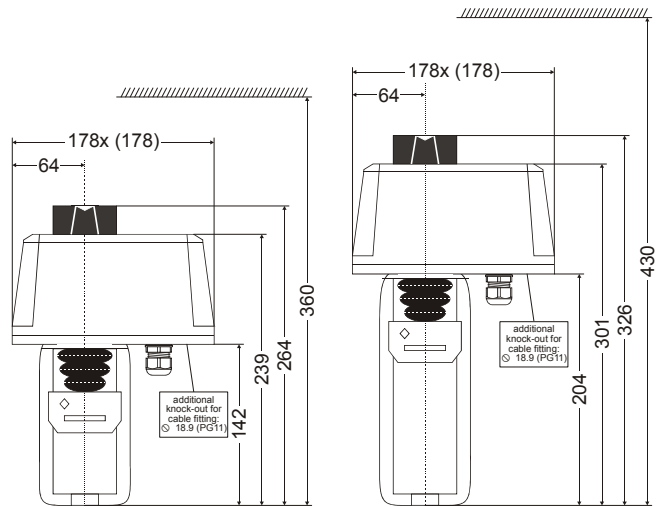


Fig. 3. ML6421A, M7421A (left) and ML6421B, ML7421B (right), dimensions in mm

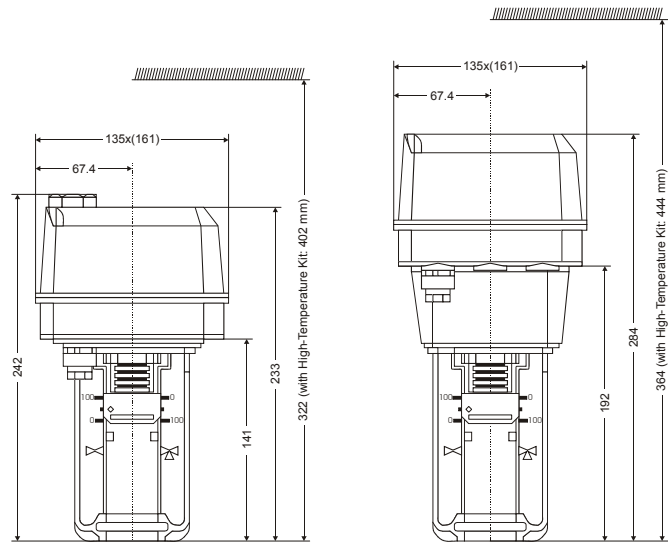


Fig. 4. ML6420A / ML7420A (left) and ML6425A,B / ML7425A,B (right), dimensions in mm



Manufactured for and on behalf of the Environmental and Combustion Controls Division of Honeywell Technologies Sàrl, Rolle, Z.A. La Pièce 16, Switzerland by its Authorized Representative:

Automation and Control Solutions

Honeywell GmbH
 Böblinger Strasse 17
 71101 Schönaich / Germany
 Phone: (49) 7031 63701
 Fax: (49) 7031 637493
<http://ecc.emea.honeywell.com>
 Subject to change without notice. Printed in Germany

EN0B-0291GE51 R0909