



SQL35.00
SQL85.00



SQL36E...



Electromotoric Actuators

for VKF46..., VKF46...TS butterfly valves

SQL35.00
SQL85.00
SQL36E...

- **SQL35.00, SQL36E...** operating voltage AC 230 V, 3-position control signal
- **SQL85.00** operating voltage AC 24 V, 3-position control signal
- **Nominal angle of rotation 90°**
- **Auxiliary switch and potentiometer for extra functions**
- **Manual adjuster and position indicator**
- **SQL36E... built-in heating element to avoid condensation**
- **SQL36E... compatible with EN ISO 5211 flanges**
- **SQL36E... variable positioning time with SEZ31.1 auxiliary module**

Use

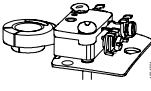
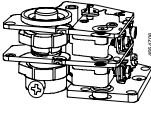
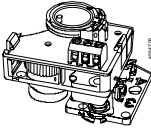
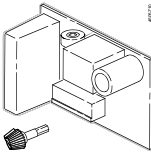
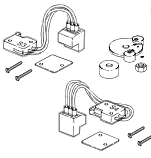
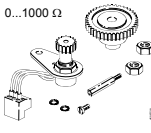
For operation of VKF41..., VKF46... and VKF46...TS butterfly valves as control and shutoff valves in heating, ventilation and air conditioning plants.

Type summary

Type	Operating voltage	Positioning signal	Positioning time for 90° at 50 Hz		Positioning force	Flange connection EN 5211	
			without SEZ31.1	with SEZ31.1			
SQL35.00	AC 230 V	3-position	125 s		20 Nm		
SQL85.00	AC 24 V						
SQL36E50F04	AC 230 V		25 s		40 Nm	F04	
SQL36E50F05						F05	
SQL36E65			6 s		30...180 s	100 Nm	F07
SQL36E110			12 s		60...360 s	400 Nm	F10
SQL36E160	24 s	120...720 s	1200 Nm	1)			

1) EN 5211 F12 / F16 flange connections for third-party actuators are available on request.

Accessories

Type	Description	For actuators	Mounting position
ASC9.5	 Auxiliary switch	SQL35.00 SQL85.00	1 x ASC9.5 or 1 x ASC9.4 or 1 x ASZ7.4 (only one accessory at a time can be mounted)
ASC9.4	 Double auxiliary switch		
ASZ7.4	 Auxiliary switch and potentiometer 1000 Ω		
SEZ31.1	 Auxiliary module for variable positioning time (refer to «Function/mechanical design», page 4)	SQL36E65 SQL36E110 SQL36E160	1 x SEZ31.1 and 1 x ASC36 and 1 x ASZ36
ASC36	 Double auxiliary switch	SQL36E50F04 SQL36E50F05 SQL36E65	
ASZ36	 Potentiometer 1000 Ω	SQL36E110 SQL36E160	

Order

The actuator, butterfly valve, mounting kit and any accessories must be ordered separately.

When ordering please specify the quantity, product name and type code.

Example: **1 actuator, type SQL35.00, 1 mounting kit, type ASK35.1 and 1 auxiliary switch with potentiometer, type ASZ7.4**

Delivery

The actuator, butterfly valve, mounting kit and accessories are packed separately and delivered as individual items.

Equipment combinations

Butterfly valves	Electromotoric actuators						Mounting kit	Data sheet
	SQL35.00 SQL85.00	SQL36E50F04 ¹⁾	SQL36E50F05 ¹⁾	SQL36E65	SQL36E110	SQL36E160		
VKF46.40	✓	✓					ASK35.1	N4136
VKF46.50	✓	✓						
VKF46.65	✓	✓						
VKF46.80	✓		✓				ASK35.2	
VKF46.100	✓		✓					
VKF46.125	✓		✓					
VKF46.150				✓			Direct mounting	
VKF46.200				✓				
VKF46.250					✓			
VKF46.300					✓			
VKF46.350					✓			
VKF46.400					✓			
VKF46.450						✓		
VKF46.500						✓		
VKF46.600						✓		
VKF46.350TS						✓		
VKF46.400TS						✓		
VKF46.450TS						✓		
VKF46.500TS						✓		
VKF46.600TS						✓		
VKF41.150...200	✓						ASK35	N4131
VKF45.40...125 ²⁾	✓						ASK35	N4135
VKF45.150...200 ²⁾	✓ + ASK35			✓			Direct mounting	

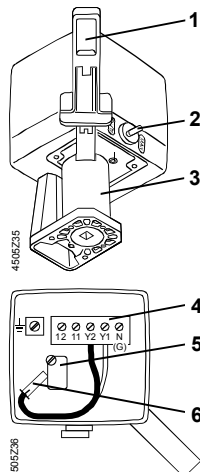
- ¹⁾ SQL36E50... actuators can be mounted directly on VKF46... butterfly valves.
- ²⁾ VKF45... butterfly valves were replaced by VKF46... butterfly valves in 2000. For actuator retrofitting on installed butterfly valves, replacement of actuators or ASK35:
- VKF45.40...125: Use SQL35.00 / SQL85.00 actuators and ASK35
 - VKF45.150...200: Mounting of SQL36E65 actuator recommended

Function / mechanical design

The actuator is driven by a 3-position signal from the controller and generates a rotary motion which is transferred via a driver to the valve.

SQL35.00 SQL85.00

These electromotoric actuators require no maintenance. They have a reversible synchronous motor and reduction gears with self-lubricating sinter bearings.



- 1 Manual lever
- 2 Rotary «AUTO» / «MAN» selector
- 3 Yoke

When the selector is set to «MAN», the butterfly valve can be operated with a manual lever. For manual operation, the angle of rotation is mechanically limited by an end stop.

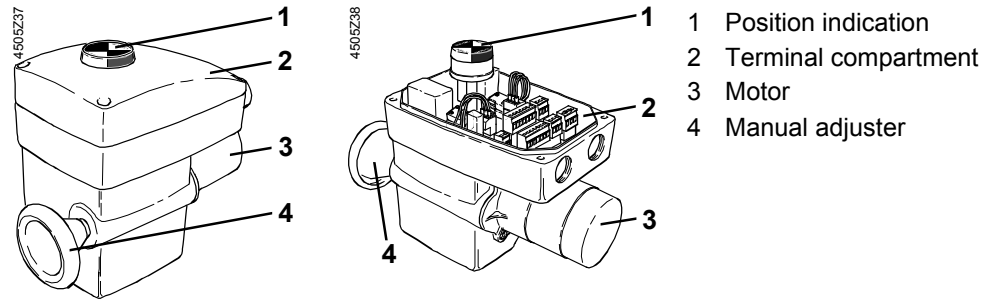
- 4 Terminal strip
- 5 Double end switch (always factory-installed)
- 6 Plug for reversing direction of rotation

SQL36E...

These electromotoric actuators require no maintenance. They have a reversible asynchronous motor which drives the main shaft via spur gears and a self-locking worm gear, which accommodates the rectangular shaft of the butterfly valve. The worm shaft is fitted with a direct-acting manual adjuster.

The actuators are supplied with a 90° angle of rotation suitable for use with Siemens butterfly valves. During automatic operation, rotation is limited by two built-in end-switches.

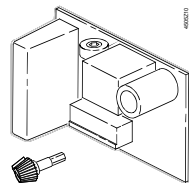
The direction of rotation of the actuator can be reversed (refer to «Commissioning»). To prevent the temperature inside the housing from falling below the dewpoint temperature, the actuators are supplied with a built-in heating element (AC 230 V, power consumption 5 W).



**Accessory for
SQL36E65
SQL36E110
SQL36E160**

SEZ31.1

Auxiliary module



In the presence of a 3-position signal, the auxiliary module pulses the actuator. The output shaft rotates by approximately 2° with each pulse. The pulse-to-pause ratio is continuously adjustable and can therefore be used to achieve longer running times for an angle of rotation of 90° (refer to «Commissioning»).

Engineering notes

Electrical installation

The actuators must be electrically connected in accordance with local regulations and with the connection diagrams.



Regulations and requirements to ensure the safety of people and property must be observed at all times.

Mounting notes

Overview of
Mounting Instructions

Type	Mounting Instructions	
SQL35.00/SQL85.00	M4290.4	74 319 0215 0
ASK35...	M4290.4	74 319 0215 0
ASK35	M4135.1	4 319 5556 0
ASC9.4	G4506.5	4 319 5537 0
ASC9.5	G4506.7	4 319 5557 0
ASZ7.4	G4506.6	4 319 5538 0

Type	Mounting Instructions	
SQL36E...	M4505.1	74 319 0440 0
ASC36	M4505.3	74 319 0442 0
ASZ36	M4505.2	74 319 0441 0
SEZ31.1	M4505.4	74 319 0443 0

SQL35.00 / SQL85.00

These actuators must be used with the following mounting kit:

- ASK35.1 or ASK35.2 for VKF46... butterfly valves
- ASK35 for VKF41.150 and VKF41.200 butterfly valves

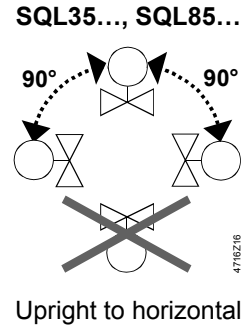
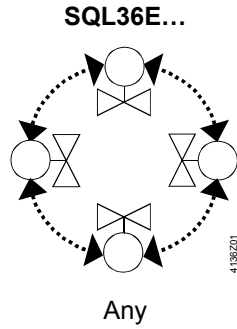
SQL36E...

These actuators are mounted directly on type VKF46... butterfly valves. The butterfly valves have to be closed during installation.

In case of unsteady ambient temperatures connect the built-in heating element to avoid condensation.

The valve and actuator can be assembled straightforwardly on site. There is no need for special tools.

Orientation



Commissioning notes

When commissioning the complete motorized valve consisting of actuator, mounting kit and butterfly valve, always check the wiring and test the functions. This also applies to any additional components fitted, e.g. auxiliary switch, potentiometer or auxiliary module (variable positioning time).

VKF41... or VKF46... butterfly valves can only be commissioned with a SQL35.00 / SQL85.00 or SQL36E... actuator or with an ASK46... manual adjuster fitted.

Warning ⚠

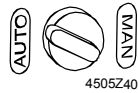
To avoid pressure shocks on the butterfly, the VKF46... must be driven to its fully open position (either manually or via positioning signal Y1) prior to activating the pump(s).

The flow rate is adjusted either by driving the electric actuators as required, or by operating the manual adjuster.

When using a SEZ31.1 auxiliary module set the desired positioning time:

- SQL36E65: 30...180 s
- SQL36E110: 60...360 s
- SQL36E160: 120...720 s

Operating mode
SQL35.00 / SQL85.00



«AUTO» = automatic operation



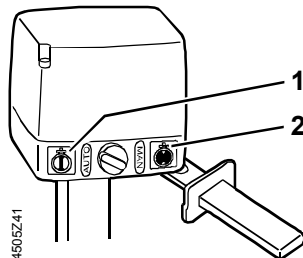
«MAN» = manual operation

SQL36E...

In the case of the SQL36E..., the manual adjuster is always engaged and cannot be mechanically disconnected.

Direction of rotation
SQL35.00 / SQL85.00

The actuators are factory-set to rotate in clockwise direction for opening (as seen from the cover).

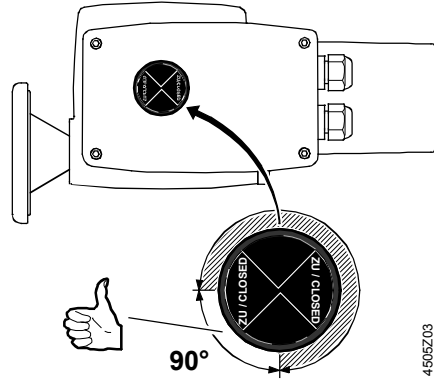


Position indication

The adhesive labels supplied must be applied during assembly.

- 1 Butterfly valve in «OPEN» position
- 2 Butterfly valve in «CLOSED» position

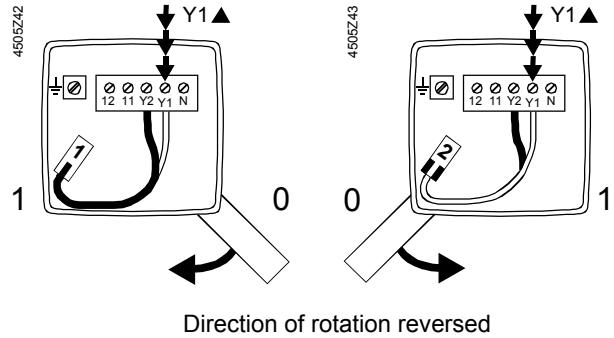
SQL36E...



The direction of rotation of these types of actuators for opening is counterclockwise.

Reversing the direction of rotation
SQL35.00 / SQL85.00

The direction of rotation can be reversed by repositioning a connector located under the cover. The wiring for the OPEN and CLOSE control signal is not affected



SQL36E...

If the direction of rotation needs reversing, simply change the connections Y1/Y2.

Setting the angle of rotation

The 0...90° angle of rotation for the end switches is factory-set and cannot be changed. The potential-free auxiliary switches have adjustable switching points.

Control

Every actuator must be driven by a dedicated controller (refer to «Connection diagrams»).

Maintenance

The actuators and butterfly valves require no maintenance.

Caution

Before performing any service work on the valve or actuator:

- Switch off the pump and power supply
- Close the main shut-off valves in the pipework
- Release pressure in the pipes and allow them to cool down completely

If necessary, disconnect electrical connections from terminals.

The valve must be re-commissioned only with the manual adjuster or the actuator correctly assembled.

Disposal



The actuator contains electrical and electronic components and must not be disposed of together with domestic waste.

Legislation may demand special handling of certain components, or it may be sensible from an ecological point of view.

Current local legislation must be observed.

Warranty

The technical data given for these applications is valid only in conjunction with the Siemens butterfly valves as detailed under «Equipment combinations». The use of third-party valves other than those recommended by Siemens invalidates the warranty.

Technical data

		SQL35.00	SQL85.00	SQL36E50...	SQL36E65	SQL36E110	SQL36E160
Power supply	Operating voltage	AC 230 V ±15 %	AC 24 V ±20 %	AC 230 V -5 / +10 %			
	Frequency	50 / 60 Hz					
	Power consumption ¹⁾	6.5 VA	35 VA	160 VA	235 VA		
Control	Positioning signal	3-position					
	Parallel operation	parallel operation of several actuators not possible					
Operating data	Positioning time for 90°						
	at 50 Hz	125 s	25 s	6 s ²⁾	12 s ²⁾	24 s ²⁾	
	at 60 Hz	105 s	20 s	5 s	10 s	20 s	
	Angle of rotation	90° ± 1° (factory setting)					
	Torque ¹⁾	20 Nm	40 Nm	100 Nm	400 Nm	1200 Nm	
	End switch	Switching capacity AC 250 V, 3 A resistive, 1.5 A inductive Switching differential approx. 1°					
	Heating element	AC 230 V, 5 W					
	Medium temperature	Permissible temperature of medium in the assembled valve: 120°C					
Standards	Meets the requirements for CE marking in	EMC directive 89/336/EEC Low-voltage directive 73/23/EEC					
	Electromagnetic compatibility	AC emissions: EN 61000-3-ff, EN 55014-1 and EN 55022 AC + DC immunity: EN 61000-4-ff					
	Product standards for automatic electrical controls	EN 60730-2-14	DIN EN 61010				
	C-tick	N474					
	Housing protection standard	IP 44 to IEC 60529	IP 67 to IEC 60529				
	Protection class	III or II to EN 60730					
	Flanges and shaft connection to actuator		EN ISO 5211 F04 / F05 F07 F10			□ 32mm F12 / F16	
Dimensions / weight	Dimensions	see «Dimensions»					
	Cable glands	4 x Ø 20,5 mm (for M20)	2 x M20				
	Weight	1.4 kg	4.5 kg	7 kg	14 kg	25 kg	
Materials	Housing base, yoke	die-cast aluminium					
	Cover	plastic	die-cast aluminium				

¹⁾ These values apply at nominal voltage, at an ambient temperature of 20 °C and at the specified nominal running time

²⁾ Variable positioning time with SEZ31.1 auxiliary module (see below)

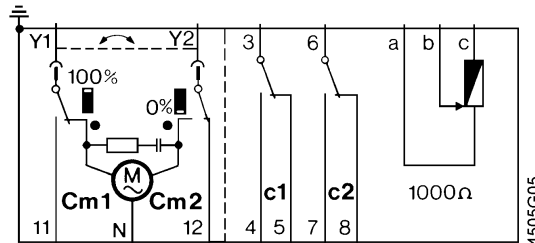
Accessories for SQL35.00 / 85.00			Weight
• Double auxiliary switch ASC9.5 / ASC9.4	Switching capacity	AC 250 V, 10 A resistive, 3 A inductive	ASC9.4 85 g
	Switching differential	approx. 1°	ASC9.5 30 g
• Auxiliary switch with potentiometer ASZ7.4	Switching capacity	AC 250 V, 10 A resistive, 3 A inductive	60 g
	Switching differential	approx. 1°	
	Change in resistance	0 ... 1000 Ω corresponding to 0 ... 90 °	

Accessories for SQL36E...			Weight
• Double auxiliary switch ASC36	Switching capacity	AC 250 V, 3 A resistive, 1.5 A inductive	60 g
	Switching differential	approx. 1°	
• Potentiometer ASZ36	Change in resistance	0...1000 Ω corresponding to 0...90°	50 g
• Auxiliary module SEZ31.1	Positioning time for 90 ° at 50 Hz	SQL36E65: 30...180 s	60 g
		SQL36E110: 60...360 s	
		SQL36E160: 120...720 s	

General ambient conditions	Operation		Transport	Storage
	EN 60721-3-3 SQL35.00 / SQL85.00	EN 60721-3-4 SQL36E...	EN 60721-3-2 SQL35.00 / SQL85.00 / SQL36E...	EN 60721-3-1 EN 60721-3-1
Environmental conditions	Class 3K5	Class 4K2	Class 2K3	Class 1K3
Temperature	-15...+55 °C	-20...+70 °C	-30...+65 °C	-15...+55 °C
Humidity	5...95 % r. h.	15...100 % r. h.	< 95 % r. h.	0...95 % r. h.

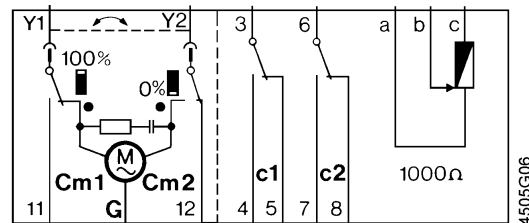
Internal diagrams

SQL35.00



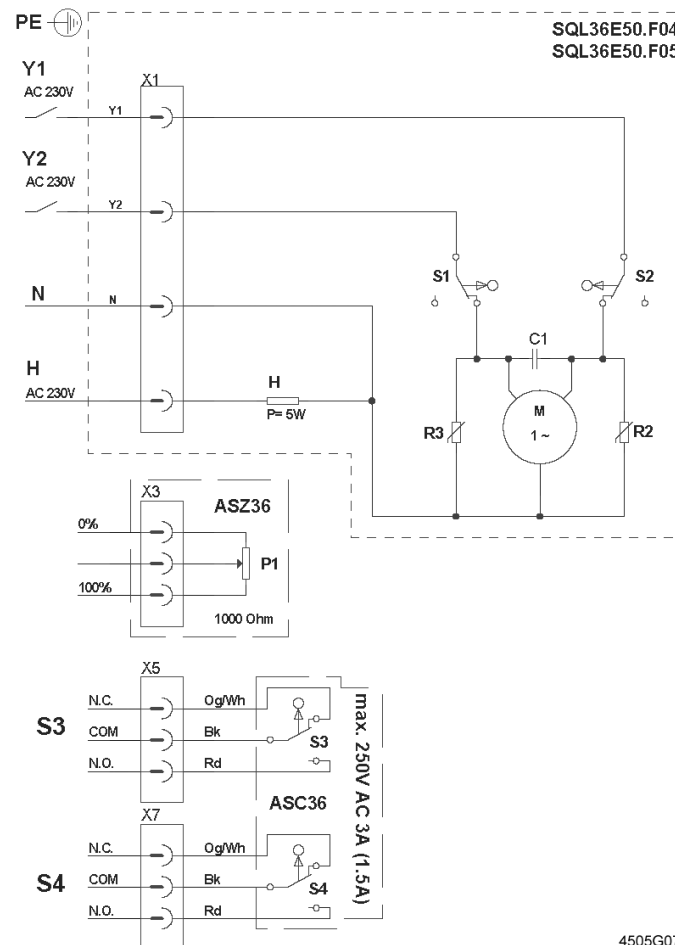
Cm1 End switch
 Cm2 End switch
 c1 1 auxiliary switch **ASC9.5**
 or
 1 double auxiliary switch **ASC9.4**
 or
 c1, 1000 Ω 1 built-in unit **ASZ7.4**
 (1 auxiliary switch and
 1 potentiometer)

SQL85.00



N Neutral conductor
 G System potential
 Y1 Control phase OPEN
 Y2 Control phase CLOSED
 11 Sequence Y1 at 90°
 12 Sequence Y2 at 0°

SQL36E50F04
 SQL36E50F05

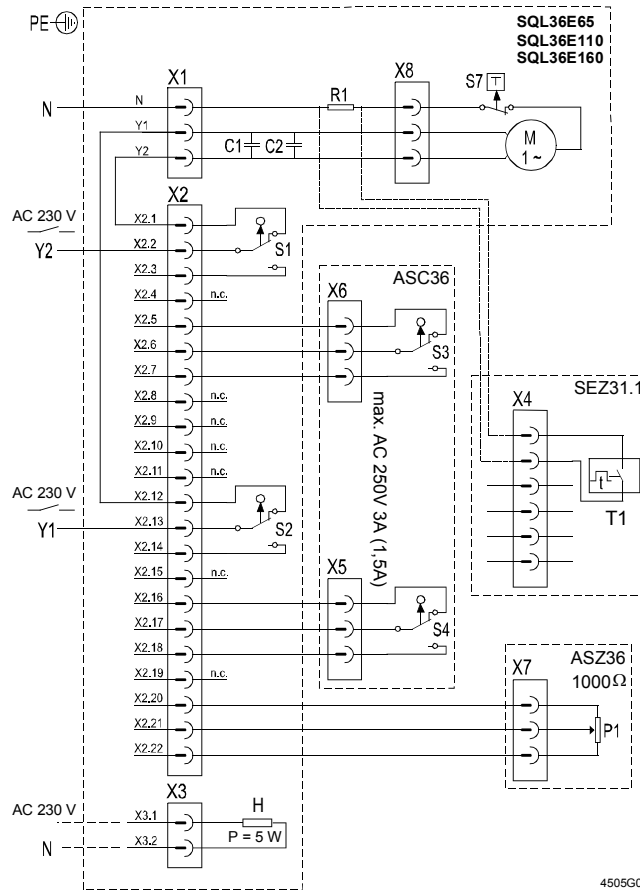


SQL36E50.F04
 SQL36E50.F05

S1 End switch CLOSED
 S2 End switch OPEN
 S3 Auxiliary switch
 CLOSED (ASC36)
 S4 Auxiliary switch
 OPEN (ASC36)
 H Heating element
 P1 Potentiometer
 (ASZ36)
 Y1 Control phase OPEN
 Y2 Control phase
 CLOSED
 N Neutral conductor
 N.C. Normally Closed
 N.O. Normally Open
 COM Common conductor

4505G07

SQL36E65
 SQL36E110
 SQL36E160

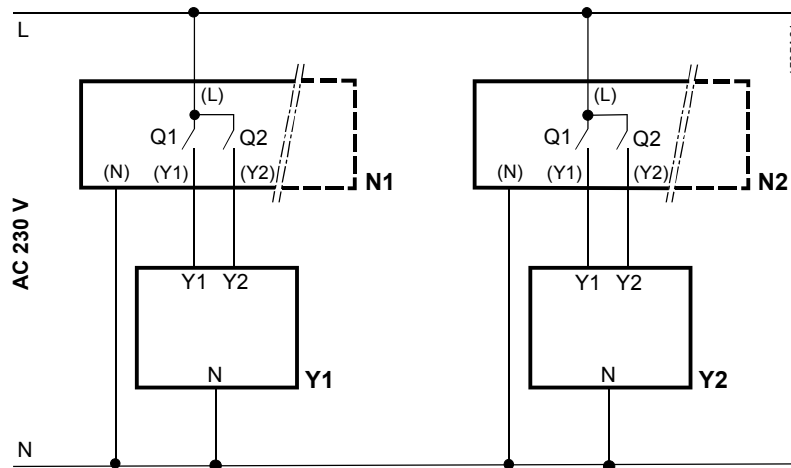


- S1 End switch CLOSED
- S2 End switch OPEN
- S3 Auxiliary switch CLOSED (ASC36)
- S4 Auxiliary switch OPEN (ASC36)
- S7 Thermal switch (integrated)
- H Heating element
- P1 Potentiometer (ASZ36)
- T1 Auxiliary module (SEZ31.1)
- Y1 Control phase OPEN
- Y2 Control phase CLOSED
- N Neutral conductor

4505G01

Connection diagrams

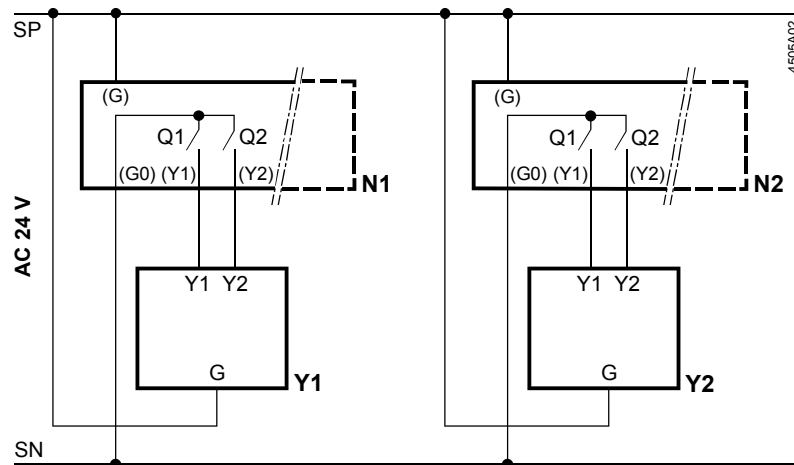
SQL35.00
 SQL36E...



4505A01

- N1, N2** Controller
- Y1, Y2** Actuator
- L** System potential AC 230 V
- N** System neutral
- Q1, Q2** Controller contacts

SQL85.00

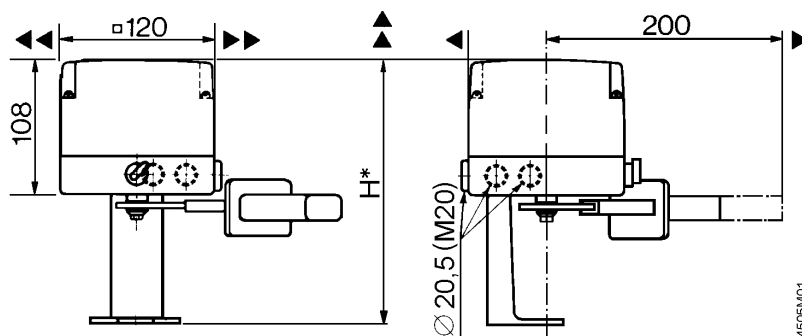


N1, N2 Controller
Y1, Y2 Actuator
 SP System potential AC 24 V
 SN System neutral
 Q1, Q2 Controller contacts

Dimensions

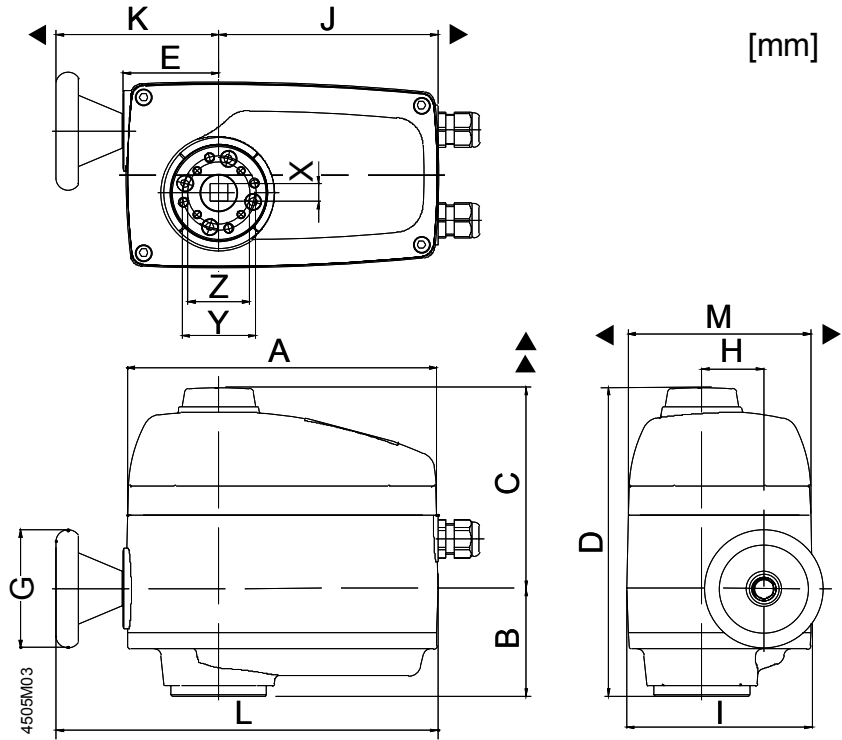
Dimensions in mm


SQL35.00
 SQL85.00



- * Mounting height of actuator including ASK35... mounting kit = 168 mm
- ◀ > 100 mm: Minimum clearance from wall or ceiling
- ▲ > 200 mm: For mounting, connection, operation, service, etc.

SQL36E50F04
SQL36E50F05

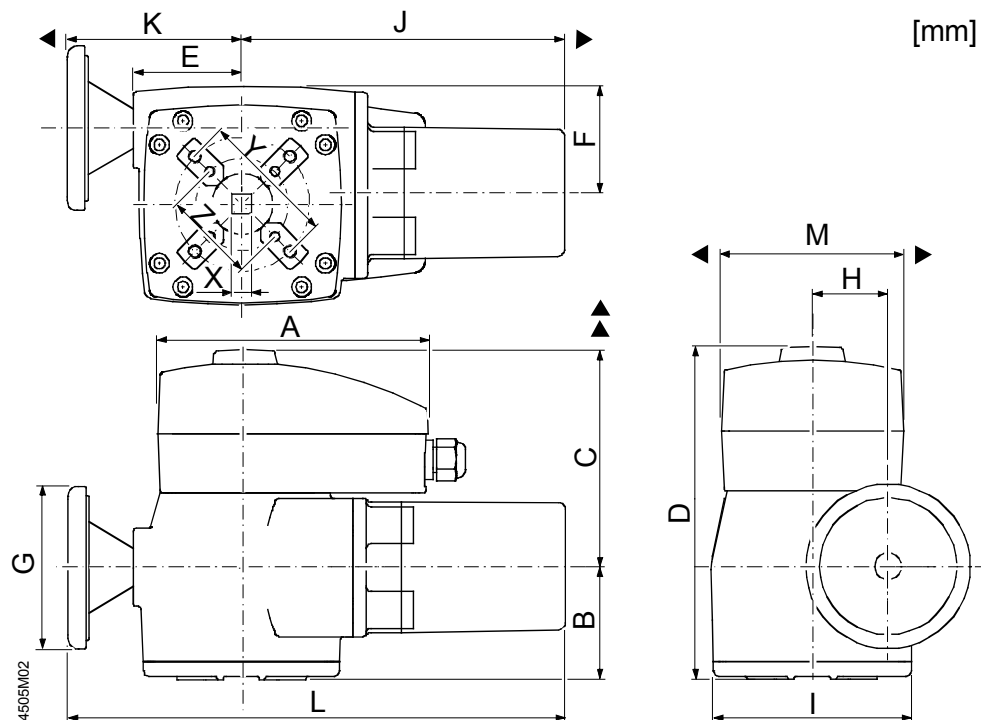


	SQL36E50F04	SQL36E50F05
DN	40...65	80...125
A	210	
B	73	
C	137	
D	210	
E	65	
G	Ø 80	
H	42	
I	126	
J	149	
K	110	
L	259	
M	124	
X	□ 11	□ 14
Y	42	
Z		50
EN 5211	F04	F05
 kg	4.5 kg	

◀ > 100 mm: Minimum clearance from wall or ceiling

▲ > 200 mm: For mounting, connection, operation, service, etc.

SQL36E65
 SQL36E110
 SQL36E160



[mm]

	SQL36E65	SQL36E110	SQL36E160
DN	150...200	250...400	(350) 450...600 ¹⁾
A	208	208	208
B	78	88	112
C	157	169	170
D	235	257	282
E	65	81	110
F	65	87	126
G	Ø 80	Ø 125	Ø 200
H	42	58	89
I	125	150	175
J	171	247	280
K	119	136	157
L	290	383	437
M	139	139	139
X	□ 17	□ 22	□ 32
Y	70	102	165
Z	50	70	125
EN 5211	F07	F10	²⁾
kg	7 kg	14 kg	25 kg

¹⁾ DN 350 / 400: VKF46.350TS, VKF46.400TS

²⁾ EN 5211 F12 / F16 flange connections for third-party actuators are available on request.

◀ > 100 mm: Minimum clearance from wall or ceiling

▲ > 200 mm: For mounting, connection, operation, service, etc.