



Y620 Series Fan Control Switch

General Description

The Y620 switch provides manual fan and system switching at the thermostat location when used with T2000H room thermostat.

The Y620 has two sliding switches for selecting desired fan speed and system mode. The switch base is made of moulded plastic.

Operation

At the HIGH, MED, LOW switch positions, the fan will run at the speed selected and thermostat, if used, will control the valve to produce the desired coil output. The OFF position will stop the fan and de-energise the thermostat.

Mounting

The Y620 is wall-mounted on a 75x75x35mm electrical wall box.

Ordering Information

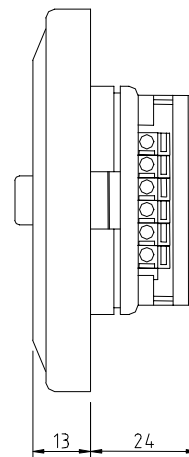
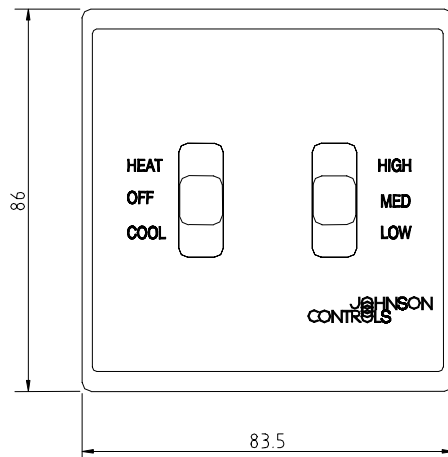
To order, specify complete product number. Thermostat must be ordered separately.



SPECIFICATIONS

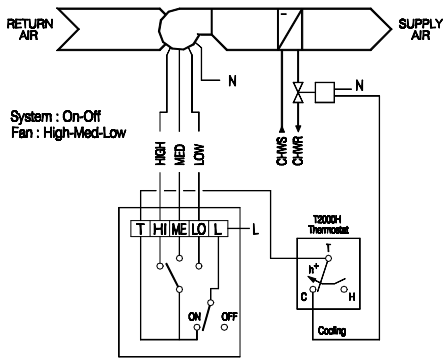
PRODUCT CODE	Y621	System ON-OFF; Fan HIGH-MED-LOW
	Y622	System HEAT-OFF-COOL; Fan HIGH-MED-LOW
MATERIAL AND FINISH	Moulded ABS plastic with UL94-V0 grade in White color,	
ELECTRICAL RATINGS	10(1) A, 220 ~ 240V, 50 / 60Hz	
WIRING CONNECTIONS	Screw-in terminals, capable of accepting wires up to 1.5mm ²	

DIMENSIONS (mm)

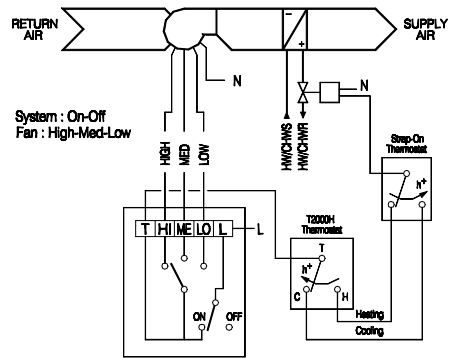


Portion which is
Inside Wall Box

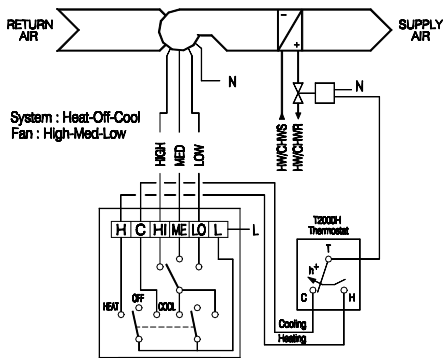
Typical Application Diagrams



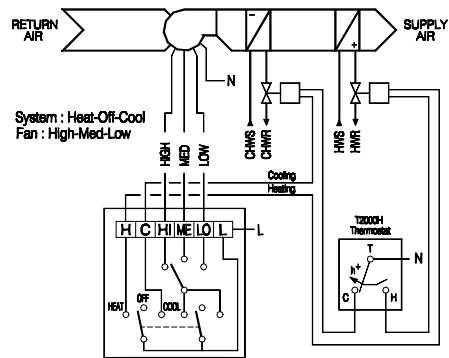
Y621 Cooling Only 2-Pipe System



Y621 2-Pipe System with Automatic Changeover



Y622 Heating/Cooling 2-Pipe System



Y622 Heating/Cooling 4-Pipe System

(*: Heat Rising)

Installation Instructions

