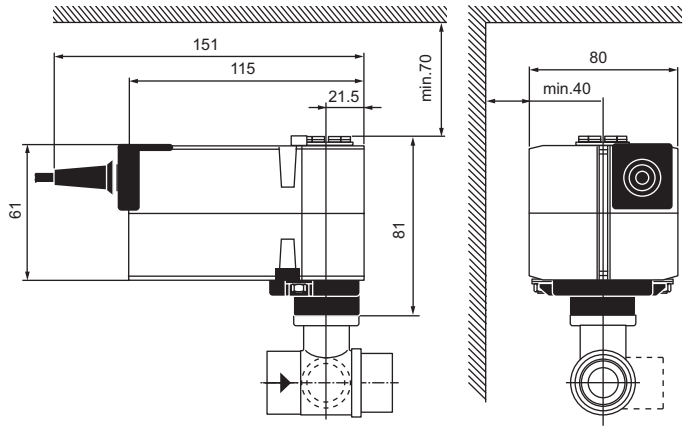
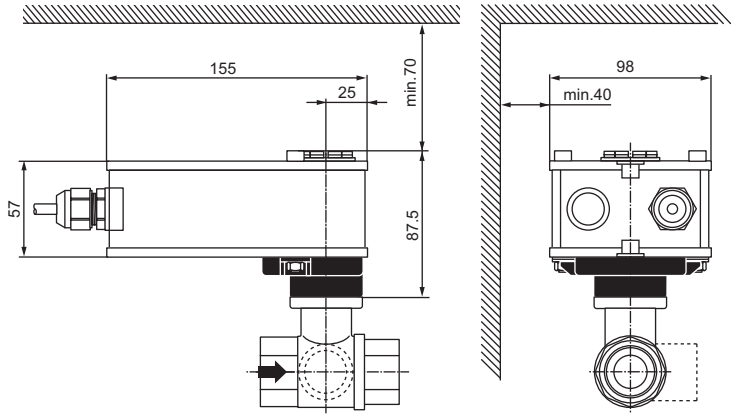


Dimensions [mm]

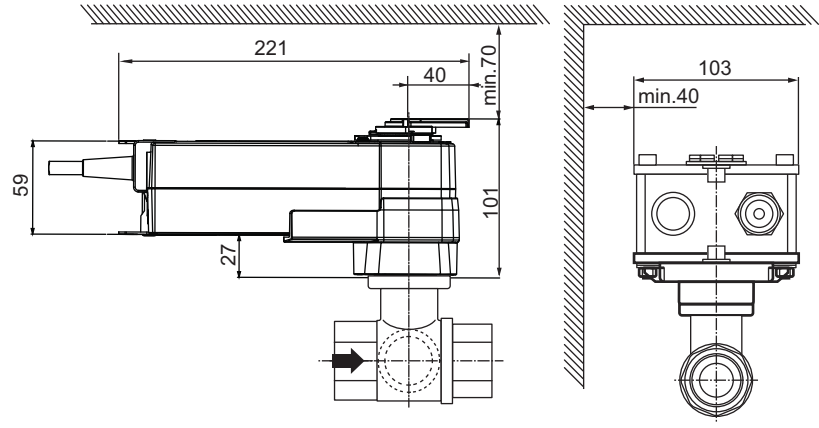
TRF..



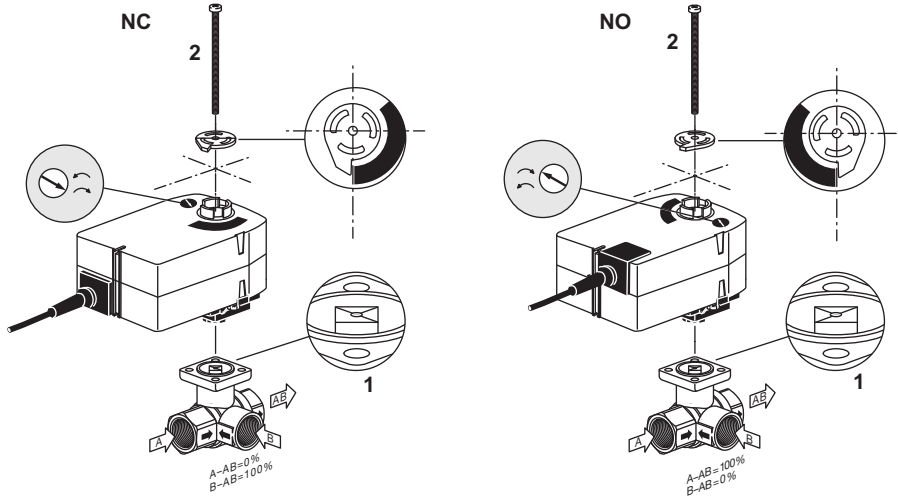
L(R)F..



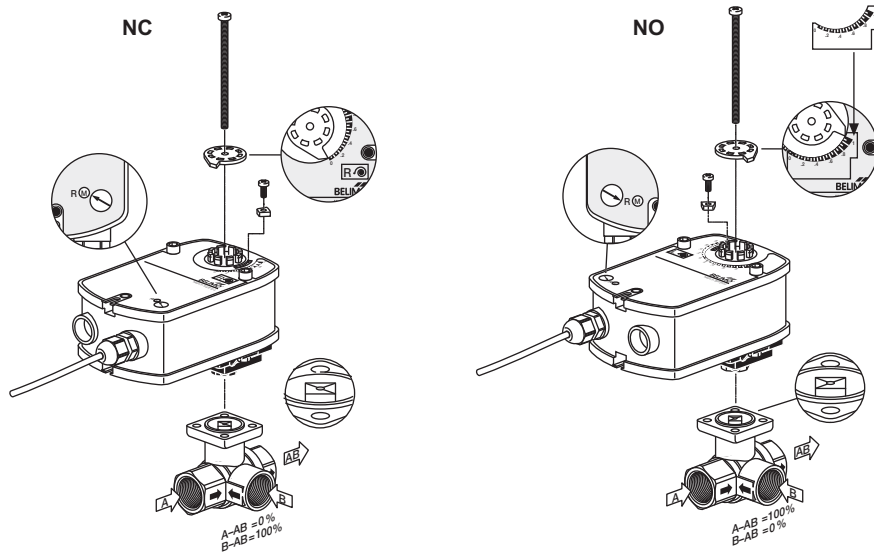
SRFU.. / NRFU..



Mounting instructions: TRF..



Mounting instructions: L(R)F..



Mounting instructions: NRFU../SRFU..

