

- General Rotary Actuators for:
- Torque:
- Modulating control:
- Open/Close control:

**DN100...150 CCV**  
**40Nm**  
**GRU24-SR-7 (AC/DC 24V)**  
**GRVU24-7 (AC/DC 24V)**  
**GRVU230-7 (AC 100...240V)**


**Technical data**

Basic technical data		Torque	Min. 40Nm @ nominal voltage	
		Angle of rotation	90°	
		Direction of rotation	Pre-setting ↻ to close (switch hidden under a label)	
		Sound power level	~45dB(A)	
		Position indicator	Mechanical, remote visible	
		Running time	150s	
		Mode of operation	Type 1 (EN 60730-1)	
		Ambient temp.	-30...+50°C	
		Non-operation temp.	-40...+80°C	
		Humidity	5...95% RH, non-condensing	
		Degree of protection	IP54	
		EMC	CE according to 89/336/EEC	
		Low voltage directive	CE according to 73/23/EEC	
		Maintenance	Maintenance-free	
<b>GRVU24-SR-7</b>	Nominal voltage	AC 24V 50/60Hz, DC 24V		
	Nominal voltage range	AC 19.2...28.8V / DC 21.6...28.8V		
	Power consumption -running	4.5W		
	-holding	1.5W		
	For transformer sizing	6.5VA		
	Connecting cable	Cable 1m, 4x0.75mm <sup>2</sup>		
	Control signal Y	DC 2(0)...10V @ input impedance 100kΩ		
	Position feedback signal U	DC 2...10V @ max. 1mA		
	Position accuracy	±5%		
	Manual override	Gearing disengaged by pressing the push button, manual operation while the button is held depressed		
		Protection class	III (safety extra-low voltage)	
		Weight	2.5kg	
<b>GRVU24-7</b>	Nominal voltage	AC 24V 50/60Hz, DC 24V		
	Nominal voltage range	AC/DC 19.2...28.8V		
	Power consumption -running	4.5W		
	-holding	2W		
	For transformer sizing	7VA		
	Connecting cable	Cable 1m, 3x0.75mm <sup>2</sup>		
	Manual override	Gearing disengaged by pressing the push button, manual operation while the button is held depressed		
			Protection class	III (safety extra-low voltage)
			Weight	1.9kg
	<b>GRVU230-7</b>	Nominal voltage	AC 100...240V 50/60Hz	
Nominal voltage range		AC 85...265V		
Power consumption -running		4W		
-holding		2W		
For transformer sizing		7VA		
Connecting cable		Cable 1m, 3x0.75mm <sup>2</sup>		
Manual override		Gearing disengaged by pressing the push button, manual operation while the button is held depressed		
		Protection class	II (Totally insulated)	
		Weight	1.9kg	

## Product features

### Mode of operation

GRVU24-SR-7 is controlled by means of a standard modulating control signal DC 2(0)...10V and travels to the position defined by this signal. The feedback signal U allows the valve position (0...100%) to be electrically indicated and serves as a follow-up control signal for other actuators.

### Adjustable angle of rotation

Adjustable angle of rotation with mechanical end stops.

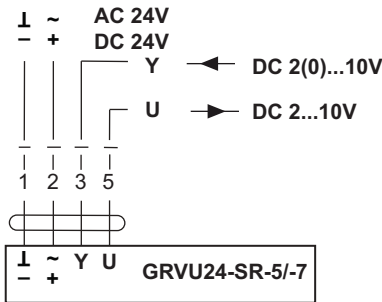
### High function reliability

The actuator is overload-proof, requires no limit switches and stops automatically when the end stop is reached.

## Wiring diagrams

### GRVU24-SR-7

#### Modulating control



#### Notes:

- Connection via safety isolating transformer.
  - Other actuators can be connected in parallel.
- Please note the performance data.

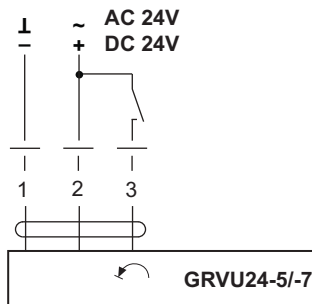


**Direction of rotation**  
(factory setting, switch hidden)



### GRVU24-7

#### Open/Close control



#### Notes:

- Connection via safety isolating transformer.
  - Other actuators can be connected in parallel.
- Please note the performance data.

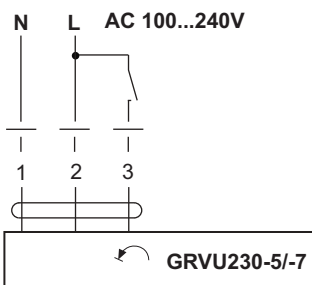


**Direction of rotation**  
(factory setting, switch hidden)



### GRVU230-7

#### Open/Close control



#### Notes:

- Caution: Power supply voltage!
  - Parallel connection of other actuators possible.
  - Direction of rotation switch is covered.
- Factory setting: Direction of rotation Y2



**Direction of rotation**  
(factory setting, switch hidden)

