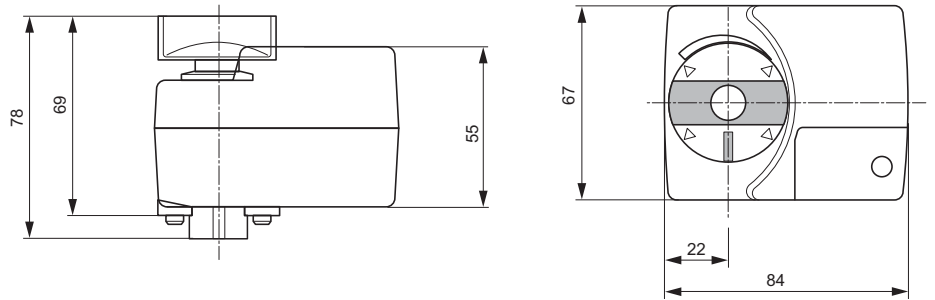
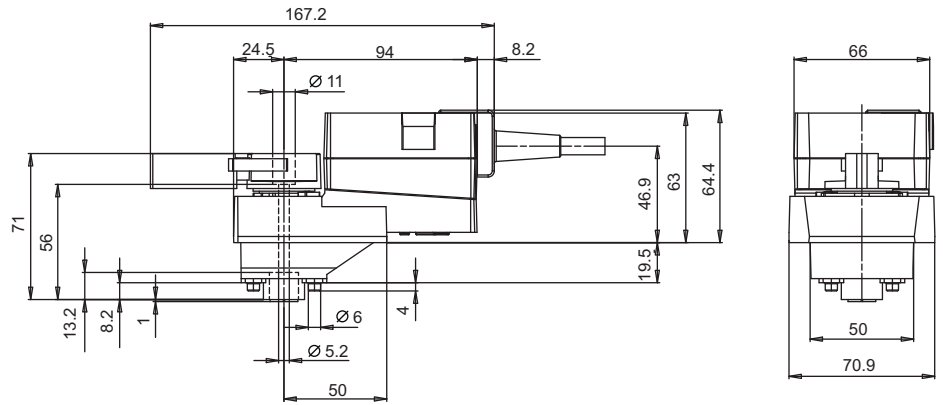


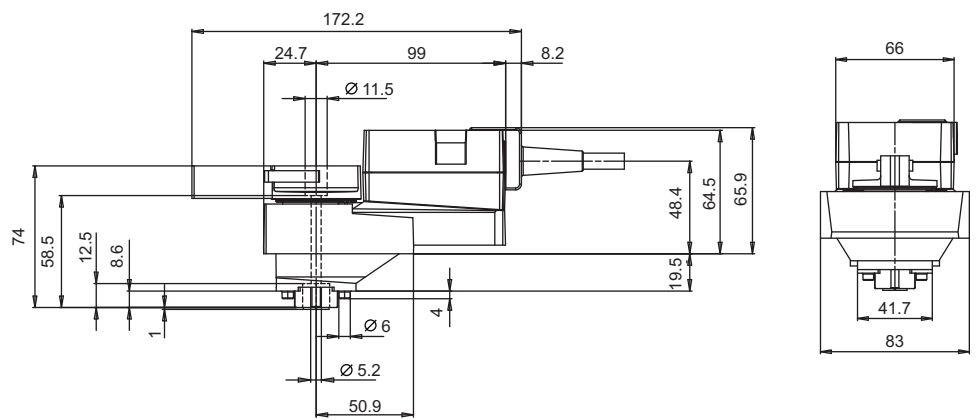
Dimensions [mm]: TR..



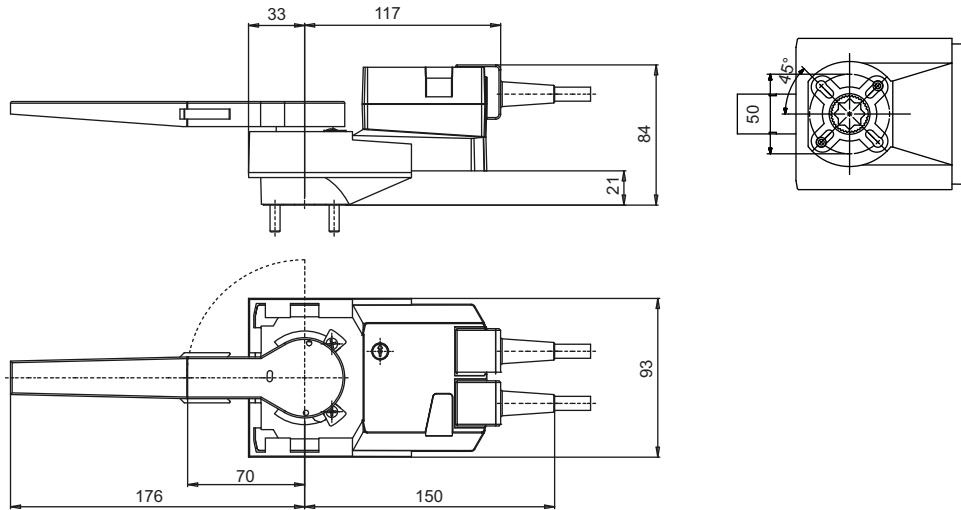
Dimensions [mm]: LRU..



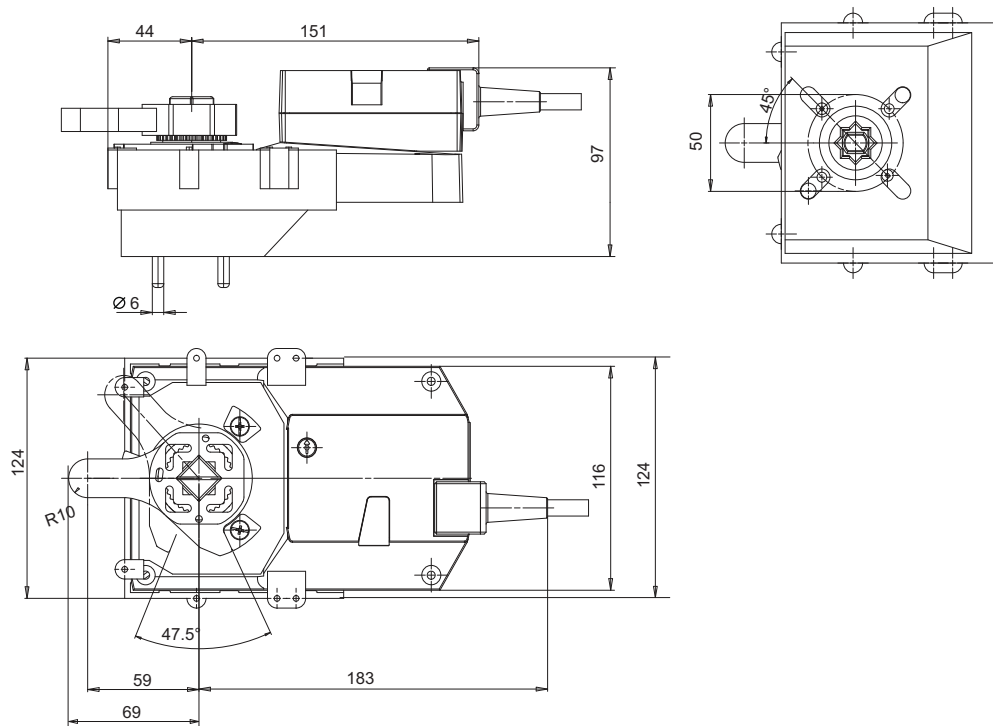
Dimensions [mm]: NRU..



Dimensions [mm]: SRVU..



Dimensions [mm]: GRVU..



Auxiliary switch adjustment: LRU..-S/NRU..-S/SRVU..-S-5

1. Press the push button and manually operate the universal clamp to favoured switch position.
2. Turn switch pointer to the middle line.
3. When actuator moves clockwise (counter-clockwise) to switch position, switch indicator passes counter-clockwise (clockwise) the middle line.
The contact between S1 and S3 is cut off (established) and the contact between S1 and S2 is established (cut off).

Note: The switching point should be about 5° from the mechanical end stops (1 short step on the scale).

