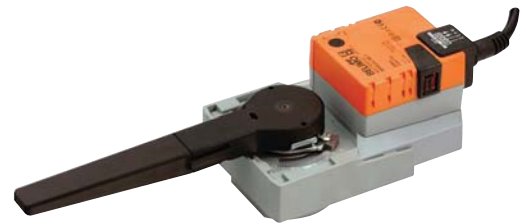


- General Rotary Actuators for:
- Torque:
- Modulating control:
- Open/Close or 3-point control:

DN65...80 CCV
 20Nm
 SRVU24-SR-5 (AC/DC 24V)
 SRVU24(-S)-5 (AC/DC 24V)
 SRVU230(-S)-5 (AC 100...240V)


Technical data
Basic technical data
SRVU24-SR-5
SRVU24(-S)-5
SRVU230(-S)-5

Torque	Min. 20Nm @ nominal voltage
Angle of rotation	90°
Direction of rotation	Pre-setting ↷ to close (switch hidden under a label)
Sound power level	~45dB(A)
Position indicator	Mechanical, remote visible
Running time	90s
Mode of operation	Type 1 (EN 60730-1)
Ambient temp.	-30...+50°C
Non-operation temp.	-40...+80°C
Humidity	5...95% RH, non-condensing
Degree of protection	IP54
EMC	CE according to 89/336/EEC
Low voltage directive	CE according to 73/23/EEC
Maintenance	Maintenance-free
Nominal voltage	AC 24V 50/60Hz, DC 24V
Nominal voltage range	AC 19.2...28.8V / DC 21.6...28.8V
Power consumption -running	2.5W
-holding	0.4W
For transformer sizing	5VA
Connecting cable	Cable 1m, 4x0.75mm ²
Control signal Y	DC 2(0)...10V @ input impedance 100kΩ
Position feedback signal U	DC 2...10V @ max. 1mA
Position accuracy	±5%
Manual override	Gearing disengaged by pressing the push button, manual operation while the button is held depressed
Protection class	III (safety extra-low voltage)
Weight	1.1kg
Nominal voltage	AC 24V 50/60Hz, DC 24V
Nominal voltage range	AC/DC 19.2...28.8V
Power consumption -running	2W
-holding	0.2W
For transformer sizing	4VA
Auxiliary switch (-S)	1xSPDT, 1mA...3(0.5)A, AC 250V 0...100% adjustable
Connecting cable -motor	Cable 1m, 3x0.75mm ²
-S	Cable 1m, 3x0.75mm ²
Manual override	Gearing disengaged by pressing the push button, manual operation while the button is held depressed
Protection class	III (safety extra-low voltage)
Weight	1.1kg
Nominal voltage	AC 100...240V 50/60Hz
Nominal voltage range	AC 85...265V
Power consumption -running	2.5W
-holding	0.4W
For transformer sizing	6VA
Auxiliary switch (-S)	1xSPDT, 1mA...3(0.5)A, AC 250V 0...100% adjustable
Connecting cable -motor	Cable 1m, 3x0.75mm ²
-S	Cable 1m, 3x0.75mm ²
Manual override	Gearing disengaged by pressing the push button, manual operation while the button is held depressed
Protection class	II (Totally insulated)
Weight	1.1kg

Product features

Mode of operation

SRVU24-SR-5 is controlled by means of a standard control signal DC 2(0)...10V and travels to the position defined by this signal. The feedback signal U allows the valve position (0...100%) to be electrically indicated and serves as a follow-up control signal for other actuators.

Adjustable angle of rotation

Adjustable angle of rotation with mechanical end stops.

High function reliability

The actuator is overload-proof, requires no limit switches and automatically stops when the end stop is reached.

Flexible signalisation

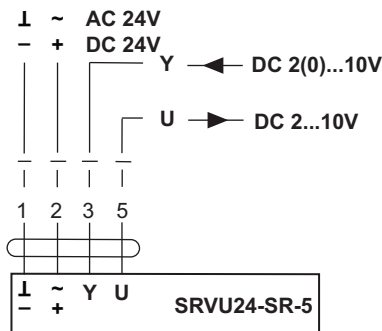
Flexible signalisation of the SRVU...-S-5 with adjustable auxiliary switch (0...100%).

Wiring diagrams

SRVU24-SR-5 Modulating control

Notes:
 • Connection via safety isolating transformer.
 • Other actuators can be connected in parallel.
 Please note the performance data.

Direction of rotation
 (factory setting, switch hidden)

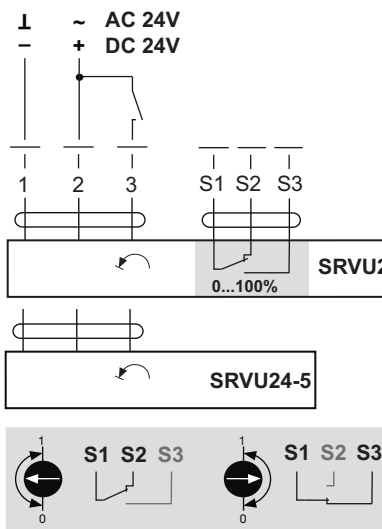


SRVU24(-S)-5 Open/Close control

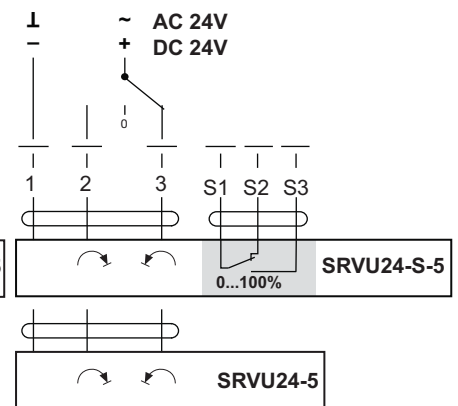
Notes:
 • Connection via safety isolating transformer.
 • Other actuators can be connected in parallel.
 Please note the performance data.

Direction of rotation
 (factory setting, switch hidden)

Auxiliary switch



3-point control

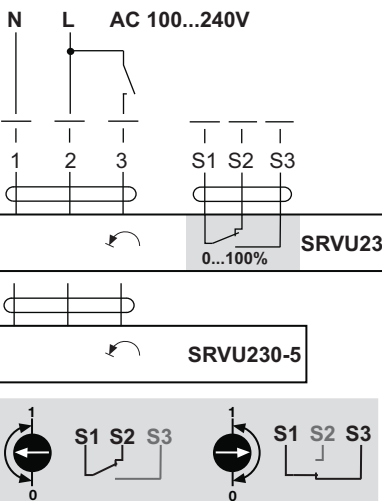


SRVU230(-S)-5 Open/Close control

Notes:
 • Caution: Power supply voltage!
 • Other actuators can be connected in parallel.
 Please note the performance data.

Direction of rotation
 (factory setting, switch hidden)

Auxiliary switch



3-point control

