

- General Rotary Actuators for: 2-way DN50 CCV
3-way DN32...50 CCV
10Nm
- Torque: NRU24-SR (AC/DC 24V)
- Modulating control: NRU24(-S) (AC/DC 24V)
- Open/Close or 3-point: NRU230(-S) (AC 100...240V)


Technical data

Basic technical data		
	Torque	10Nm
	Angle of rotation	90°
	Direction of rotation	Selectable by switch (covered): Factory preset change to to reverse the direction of rotation
	Sound power level	~45dB(A)
	Position indicator	Mechanical
	Running time	90s
	Ambient temp.	-5...+50°C
	Non-operation temp.	-5...+80°C
	Temp. of medium	-5...+100°C
	Humidity	5...95% RH, non-condensing
	Degree of protection	IP54
	EMC	CE according to 89/336/EEC
	Maintenance	Maintenance-free
NRU24-SR	Nominal voltage range	AC/DC 19.2...28.8V
	Power consumption -running	2.5W
	-holding	0.4W
	For transformer sizing	5VA
	Connecting cable	Cable 1m, 4x0.75mm ²
	Control signal Y	DC 2(0)...10V @ input impedance 100kΩ
	Position feedback signal U	DC 2...10V @ max. 1mA
	Protection class	III (safety extra-low voltage)
	Weight	0.85kg
	NRU24(-S)	Nominal voltage range
Power consumption -running		2.0W
-holding		0.2W
For transformer sizing		4VA
Connecting cable -motor		Cable 1m, 3x0.75mm ²
-S		Cable 1m, 3x0.75mm ²
Protection class		III (safety extra-low voltage)
Auxiliary switch (NRU24-S)		1XSPDT, 1mA...3(0.5)A, AC 250V 0...100% adjustable
Weight		0.85kg
NRU230(-S)		Nominal voltage range
	Power consumption -running	3.0W
	-holding	0.6W
	For transformer sizing	7VA
	Connecting cable -motor	Cable 1m, 3x0.75mm ²
	-S	Cable 1m, 3x0.75mm ²
	Protection class	II (Totally insulated)
	Auxiliary switch (NRU230-S)	1XSPDT, 1mA...3(0.5)A, AC 250V 0...100% adjustable
	Low voltage directive	CE according to 73/23/EEC
	Weight	0.9kg

Product features

Simple direct mounting

Simple direct mounting on the Ball Valve using only one screw.

Manual operation

Manual operation by push button when necessary.

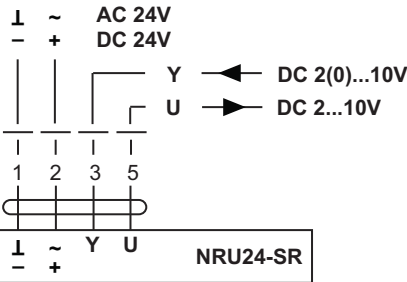
High function reliability

The actuator is overload-proof, needs no limit switches and stops automatically at the end stops.

Wiring diagrams

NRU24-SR

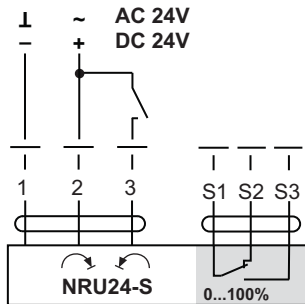
Modulating control



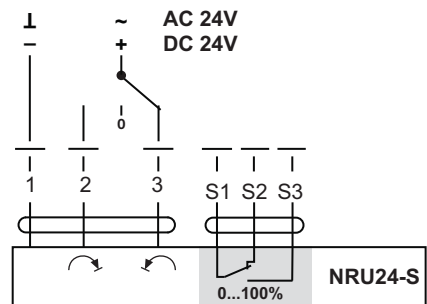
Notes:
 •Connection via safety isolating transformer.

NRU24(-S)

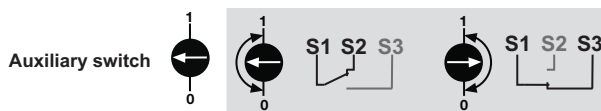
Open/Close control



3-point control

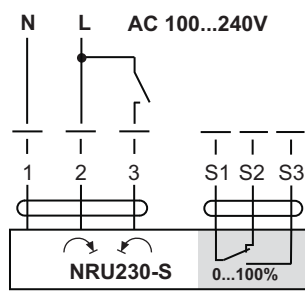


Notes:
 •Connection via safety isolating transformer.

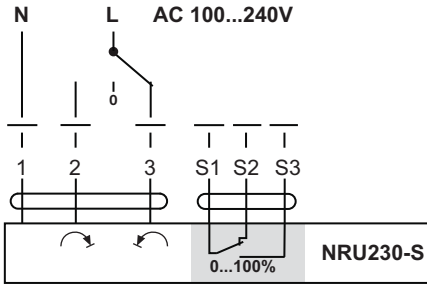


NRU230(-S)

Open/Close control



3-point control



Notes:
 •Caution: Power supply voltage!

