

- General Rotary Actuators for: 2-way DN32...40 CCV  
3-way DN25...32 CCV
- Torque: 5Nm
- Modulating control: LRU24-SR (AC/DC 24V)
- Open/Close or 3-point control: LRU24(-S) (AC/DC 24V)  
LRU230(-S) (AC 100...240V)


**Technical data**

Basic technical data		
	Torque	5Nm
	Angle of rotation	90°
	Direction of rotation	Selectable by switch (covered): Factory preset  change to  to reverse the direction of rotation
	Sound power level	~35dB(A)
	Position indicator	Mechanical
	Running time	90s
	Ambient temp.	-5...+50°C
	Non-operation temp.	-5...+80°C
	Temp. of medium	-5...+100°C
	Humidity	5...95% RH, non-condensing
	Degree of protection	IP54
	EMC	CE according to 89/336/EEC
	Maintenance	Maintenance-free
<b>LRU24-SR</b>	Nominal voltage range	AC/DC 19.2...28.8V
	Power consumption -running	1.5W
	-holding	0.4W
	For transformer sizing	3VA
	Connecting cable	Cable 1m, 4x0.75mm <sup>2</sup>
	Control signal Y	DC 2(0)...10V @ input impedance 100kΩ
	Position feedback signal U	DC 2...10V @ max. 1mA
	Protection class	III (safety extra-low voltage)
	Weight	0.55kg
	<b>LRU24(-S)</b>	Nominal voltage range
Power consumption -running		1.5W
-holding		0.2W
For transformer sizing		2VA
Connecting cable -motor		Cable 1m, 3x0.75mm <sup>2</sup>
-S		Cable 1m, 3x0.75mm <sup>2</sup>
Protection class		III (safety extra-low voltage)
Auxiliary switch (LRU24-S)	1XSPDT, 1mA...3(0.5)A, AC 250V 0...100% adjustable	
<b>LRU230(-S)</b>	Weight	0.55kg
	Nominal voltage range	AC 85...265V
	Power consumption -running	2.0W
	-holding	0.5W
	For transformer sizing	4VA
	Connecting cable -motor	Cable 1m, 3x0.75mm <sup>2</sup>
	-S	Cable 1m, 3x0.75mm <sup>2</sup>
	Protection class	II (Totally insulated)
	Auxiliary switch (LRU230-S)	1XSPDT, 1mA...3(0.5)A, AC 250V 0...100% adjustable
	Low voltage directive	CE according to 73/23/EEC
Weight	0.6kg	

**Product features**

**Simple direct mounting**

Simple direct mounting on the Ball Valve using only one screw.

**Manual operation**

Manual operation by push button when necessary.

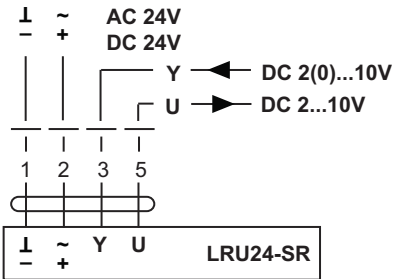
**High function reliability**

The actuator is overload-proof, needs no limit switches and stops automatically at the end stops.

**Wiring diagrams**

**LRU24-SR**

**Modulating control**



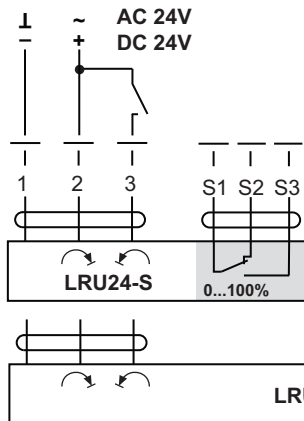
**Notes:**

- Connection via safety isolating transformer.
- Other actuators can be connected in parallel.

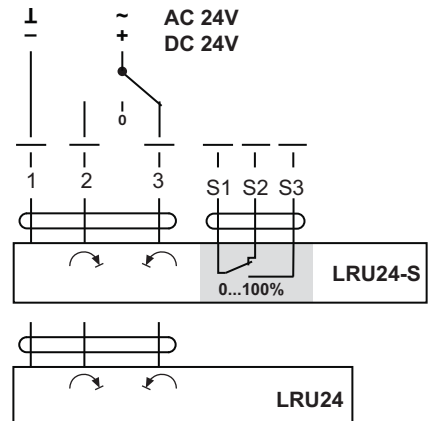
Please note the performance data.

**LRU24(-S)**

**Open/Close control**



**3-point control**



**Notes:**

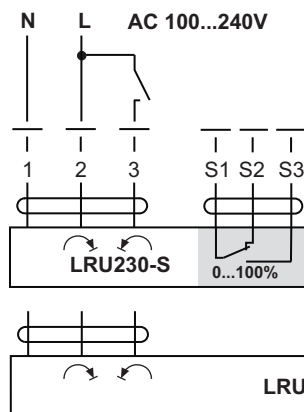
- Connection via safety isolating transformer.
- Other actuators can be connected in parallel.

Please note the performance data.

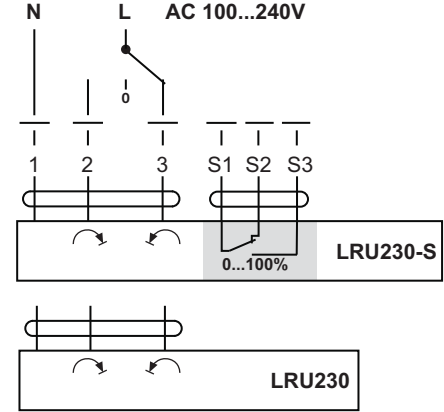


**LRU230(-S)**

**Open/Close control**



**3-point control**



**Notes:**

- Caution: Power supply voltage!
- Other actuators can be connected in parallel.

Please note the performance data.

