


**3-way Open/Close mixing Ball Valves  
DN15...50**
**Change-over function and 2-point control  
in cold and hot water circuits**
**Applications**

For changing over cold and hot water circuits in heating and ventilation systems on the water side or for 2-point control of these circuits.


**Technical data**

Flow medium	Cold and hot water, water with max. 50% volume of glycol	
Temp. of medium	-5...+100°C	
Rated pressure	DN15...25	4140kPa
	DN32...50	2760kPa
Flow rate	Bypass B-AB	Approximately 50% of Kvs
Leakage rate	Control path A-AB	Air bubble-tight (DIN 3230 Part 3)
	Bypass B-AB	1% of Kvs
Pipe connector	Internal thread to ISO 7/1	
Differential pressure $\Delta P_{max}$	1000kPa (200kPa for low-noise operation)	
Close-off pressure $\Delta P_s$	1400kPa	
Angle of rotation	90°	
Installation position	Upright to horizontal (in relation to the stem)	
Maintenance	Maintenance-free	
<b>Valve Material</b>		
Body	Forged, nickel-plated brass body	
Ball	Brass	
Seat	PTFE	
Shaft	Stainless steel	
O-ring	EPDM	

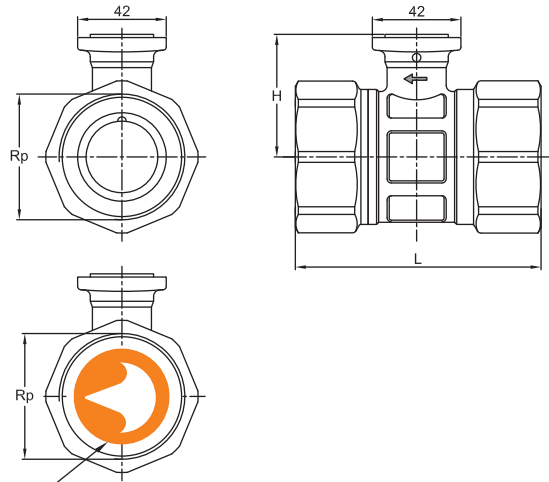
**Product features**
**Mode of Operation**

The Open/Close Ball Valve is operated by a Rotary Actuator. The Rotary Actuator is controlled by an Open/Close signal.

Dimensions

R2..AC 2-way Ball Valve

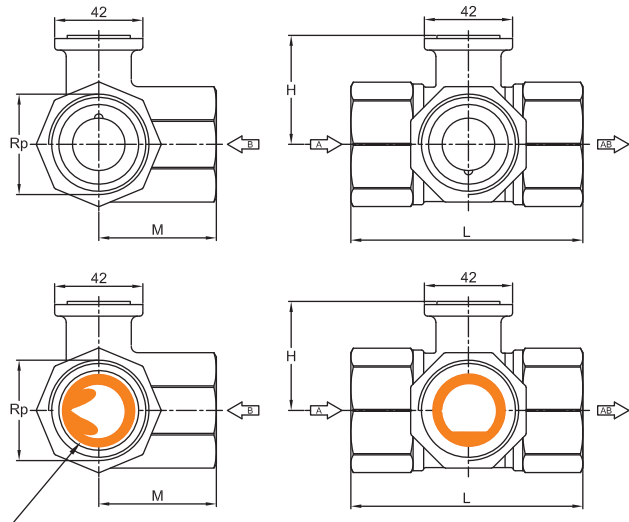
Valve type	DN		Thread	Dimensions(mm)		Weight (kg)
	mm	In	Rp	L	H	
R209AC/R210AC/R211AC R212AC/R213AC/R214AC	15	½"	½"	70	43.5	0.38
R217AC/R218AC/R220AC	20	¾"	¾"	77	46	0.48
R222AC/R223AC/R225AC	25	1"	1"	85	47.6	0.63
R229AC/R231AC/R232AC	32	1¼"	1¼"	94	51	0.84
R238AC/R239AC/R240AC	40	1½"	1½"	104	53.5	1.1
R248AC/R249AC/R250AC	50	2"	2"	116.5	58.1	1.6



Disc for Characterised Control Valve

R3..AC 3-way Ball Valve

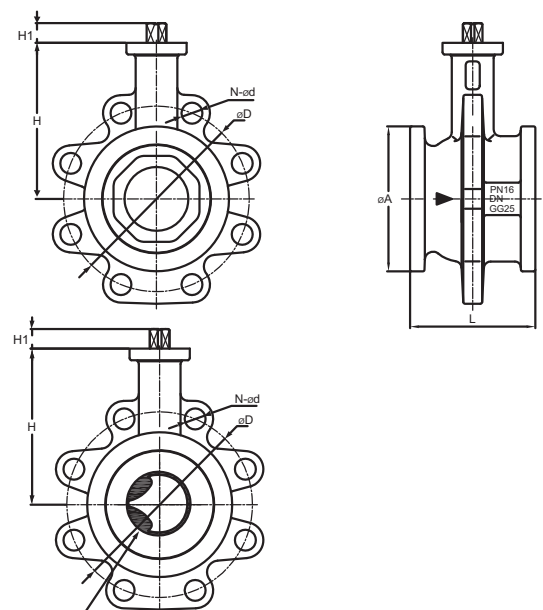
Valve type	DN		Dimensions(mm)			Thread	Weight (kg)
	mm	In	L	H	M	Rp	
R309AC/R310AC/ R311AC/R312AC/ R313AC/R315AC	15	½"	67.4	45.15	36.3	½"	0.45
R317AC/R318AC/ R320AC	20	¾"	77.9	47.4	41.6	¾"	0.6
R322AC/R323AC/ R325AC	25	1"	87.6	47.4	44.9	1"	0.9
R329AC/R330AC	32	1¼"	105.4	47.4	55.4	1¼"	1.2
R331AC/R332AC	32	1¼"	105.4	51.9	55.4	1¼"	1.5
R338AC/R340AC	40	1½"	110.5	51.9	56	1½"	1.5
R348AC/R350AC	50	2"	124.6	57.65	67.8	2"	2.4



Disc for Characterised Control Valve

R6..AO 2-way Ball Valve

Valve type	DN		Dimensions(mm)						Weight (kg)
	mm	In	øA	øD	H	H1	L	N-ød	
R664AO/R665AO	65	2½"	105	145	128	12	93	4-18	4.8
R679AO/R680AO	80	3"	125	160	134.5	12	108	8-18	7.2
R6099AO/R6100AO	100	4"	148	180	144	15.5	120	8-18	10.5
R6124AO/R6125AO	125	5"	174	210	158	15.5	142	8-18	14
R6149AO/R6150AO	150	6"	204	240	176.5	15.5	170	8-22	21



Disc for Characterised Control Valve