



2-way Butterfly Valves flanged

DN50...500

For 2-point or modulating control of cold and hot water.

Applications

Typical applications include chiller isolation, cooling tower isolation, change-over systems, large air handling coil control, bypass and process control.



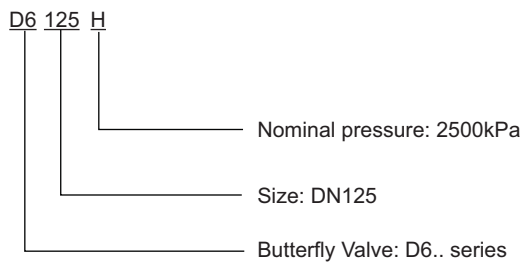
Technical data

Flow medium	Cold and hot water, Max. 50% glycol
Temperature of medium	-20°C...+100°C
Nominal pressure	2500kPa (PN25)
Leakage rate	Rate A Bubble tight (ISO 5208)
Pipe connections *	ISO 7005.2 PN25 lug DN50...500
Max. Close-off pressure	2200kPa
Installation position	Vertical to horizontal
Maintenance	Maintenance-free
Angle of rotation	90° rotation
Valve Material	
Body	Ductile cast iron GGG50 (DN50...500)
Disc	Stainless steel 304
Seat	EPDM
Shaft	Hardened and tempered 45 carbon steel
Bushing	RPTFE

Default: D6500H Butterfly Valve and its actuator are pre-calibrated and pre-assembled in the factory.

6

Ordering sample

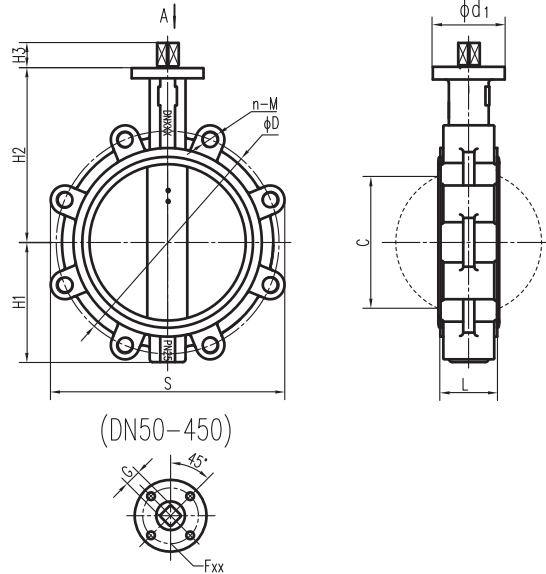


Mode of operation

The Butterfly Valve is operated by a Rotary Actuator. Select the actuator according to required Close-off pressure and HVAC condition of installation. The actuators are controlled by a standard Open/Close or modulating control system and rotate the disc of the valve to the position dictated by the control signal.

Manual operation

The manual operation is available by turning a handwheel of actuators.



(DN50–450)

Dimensions of PN25 lug connection Butterfly Valve [mm]

Type	Size	Top Flange	L	C	S	H1	H2	H3	G	ød1	PN25		SS BFV (kg)
											øD	n-M	
D650H	DN50	F05	42	32	122	70	130	13	14	65	125	4-M16	3.2
D665H	DN65	F05	45	47	168	76	143	13	14	65	145	8-M16	3.8
D680H	DN80	F05	45	65	178	89	155	13	14	65	160	8-M16	5.0
D6100H	DN100	F07	52	91	212	104	170	17	17	90	190	8-M20	9.0
D6125H	DN125	F07	55	112	243	120	190	25	22	90	220	8-M24	11.3
D6150H	DN150	F07	56	146	271	132	210	43	22	90	250	8-M24	15.0
D6200H	DN200	F10	61	194	339	167	243	25	22	125	310	12-M24	20.0
D6250H	DN250	F10	66	242	402	202	282	25	22	125	370	12-M27	30.0
D6300H	DN300	F12	77	292	466	239	310	60	36	150	430	16-M27	46.0
D6350H	DN350	F12	77	325	529	265	368	66	36	150	490	16-M30	70.3
D6400H	DN400	F16	87	380	593	299	400	50	36	210	550	16-M33	88.5
D6450H	DN450	F16	105	428	647	333	422	50	36	210	600	20-M33	104.4
D6500H	DN500	-	130	474	706	363	480	-	-	-	660	20-M33	179.6

Max. Close-off pressure ΔPs and linkage — D6..H series

Type	IP67 Actuator (Outdoor Use)																	
	SY2.. [90Nm]		SY3.. [150Nm]		SY4.. [400Nm]		SY6.. [650Nm]		SY8.. [1500Nm]		SY10.. [2500Nm]		SY11.. [3000Nm]		SY12.. [3500Nm]		QB6000.. [6000Nm]	
	ΔPs kPa	Linkage WD6..	ΔPs kPa	ΔPs kPa	ΔPs kPa	ΔPs kPa	ΔPs kPa	ΔPs kPa	ΔPs kPa	ΔPs kPa	ΔPs kPa	ΔPs kPa	ΔPs kPa	ΔPs kPa	ΔPs kPa	ΔPs kPa	ΔPs kPa	ΔPs kPa
D650H	2200	S2	-	-	-	-	-	-	-	-	-	-	-	-	-	-	-	-
D665H	2200	S2	-	-	-	-	-	-	-	-	-	-	-	-	-	-	-	-
D680H	2200	S2	-	-	-	-	-	-	-	-	-	-	-	-	-	-	-	-
D6100H	-	-	2200	-	-	-	-	-	-	-	-	-	-	-	-	-	-	-
D6125H	-	-	-	2200	-	-	-	-	-	-	-	-	-	-	-	-	-	-
D6150H	-	-	-	-	2200	-	-	-	-	-	-	-	-	-	-	-	-	-
D6200H	-	-	-	-	2200	-	-	-	-	-	-	-	-	-	-	-	-	-
D6250H	-	-	-	-	-	2200	-	-	-	-	-	-	-	-	-	-	-	-
D6300H	-	-	-	-	-	-	2200	-	-	-	-	-	-	-	-	-	-	-
D6350H	-	-	-	-	-	-	-	2200	-	-	-	-	-	-	-	-	-	-
D6400H	-	-	-	-	-	-	-	-	2200	-	-	-	-	-	-	-	-	-
D6450H	-	-	-	-	-	-	-	-	-	2200	-	-	-	-	-	-	-	-
D6500H	-	-	-	-	-	-	-	-	-	-	2200	-	-	-	-	-	-	-