

- Mechanical Fail-Safe Rotary Actuators for:
- Torque:
- Modulating control:
- Open/Close control:

DN50...80 Butterfly Valves
20Nm
SRFU24-SR-5 (AC/DC 24V)
SRFU-5, SRFU-S2-5 (AC 24V...240V)
(DC 24V...125V)



Technical data

Basic technical data		Torque	-motor	Min. 20Nm @ nominal voltage
			-spring return	Min. 20Nm
		Angle of rotation		90°
		Direction of rotation	-motor	Selected by mounting side of L/R
			-spring return	Selected by mounting side of L/R or reversing
		Sound power level		Motor:~ 45dB(A), spring return:~62dB(A)
		Position indicator		Mechanical
		Running time	-motor	~150s (SRFU24-SR-5); ~75s (SRFU-S2-5, SRFU-5)
			-spring return	~20s @ -20..+50°C
		Ambient temp.		-30...+50°C
		Non-operation temp.		-40...+80°C
		Humidity		5...95% RH ,non-condensing
		Degree of protection		IP54
		EMC		CE according to 2004/108/EC
		Low voltage directive		CE according to 2006/95/EC
		Maintenance		Maintenance-free
	SRFU24-SR-5	Nominal voltage		AC 24V 50/60Hz / DC 24V
		Nominal voltage range		AC 19.2...28.8V / DC 21.6...28.8V
		Power consumption	-running	5.0W
			-holding	3.0W
		For transformer sizing		7VA
		Connecting cable		Cable 1m, 4x0.75mm ²
		Control signal Y		DC 2(0)...10V @ input impedance 100kΩ
		Position feedback signal U		DC 2...10V @ max. 0.5mA
		Position accuracy		±5%
		Manual override		With hand crank and interlocking switch
		Protection class		III (safety extra-low voltage)
		Weight		2.2kg
	SRFU-5	Nominal voltage		AC 24...240V 50/60Hz / DC 24...125V
		Nominal voltage range		AC 19.2...264V / DC 21.6...137.5V
		Power consumption	-running	7.0W
			-holding	3.5W
		For transformer sizing		18VA
		Connecting cable		Cable 1m, 2x0.75mm ²
		Manual override		With hand crank and interlocking switch
		Protection class		III (safety extra-low voltage)
		Weight		2.2kg
	SRFU-S2-5	Nominal voltage		AC 24...240V 50/60Hz / DC 24...125V
		Nominal voltage range		AC 19.2...264V / DC 21.6...137.5V
		Power consumption	-running	7.0W
			-holding	3.5W
		For transformer sizing		18VA
		Auxiliary switch (-S2)		2xSPDT, 1mA...3(0.5)A, AC 250V One fixed at 10%, one adjustable 10...90%
		Connecting cable	-motor	Cable 1m, 2x0.75mm ²
			-S2	Cable 1m, 6x0.75mm ²
		Manual override		With hand crank and interlocking switch
		Protection class		II (Totally insulated)
		Weight		2.4kg

Product features

Mode of Operation

The actuator moves the valve to its normal working position while tensioning the spring return at the same time. If the power supply is interrupted, the energy stored in the spring moves the valve back to its safe position.

- SRFU24-SR-5 is controlled by means of a standard modulating control signal DC 2(0)...10V and travels to the position defined by the signal. The feedback signal U allows the valve position (0...100%) to be electrically indicated and serves as a follow-up control signal for other actuators.
- SRFU-5, SRFU-S2-5 is equipped with a universal power module and can process supply voltage from AC24...240V plus DC 24...125V.

Adjustable angle of rotation

Adjustable angle of rotation with mechanical end stops.

High function reliability

The actuator is overload-proof, requires no limit switches, and stops automatically when the end stop is reached.

Flexible signalisation

Flexible signalisation of the SRFU..-S2-5 with adjustable auxiliary switch (10...90%).

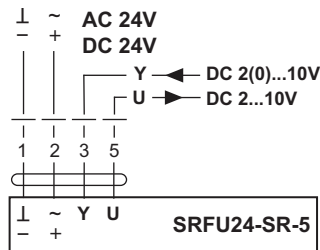
Wiring diagrams

SRFU24-SR-5

Modulating Control

Notes:

- Connection via safety isolating transformer.
 - Other actuators can be connected in parallel.
- Please note the performance data.

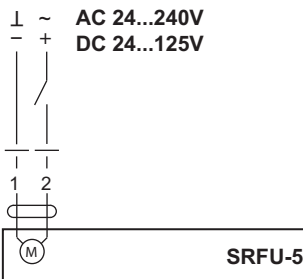


SRFU-5

Open/Close control

Notes:

- Caution: Power supply voltage!
 - Connection via safety isolating transformer.
 - Other actuators can be connected parallel.
- Please note the performance data.

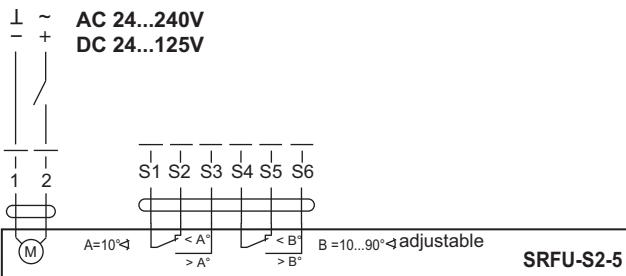


SRFU-S2-5

Open/Close control

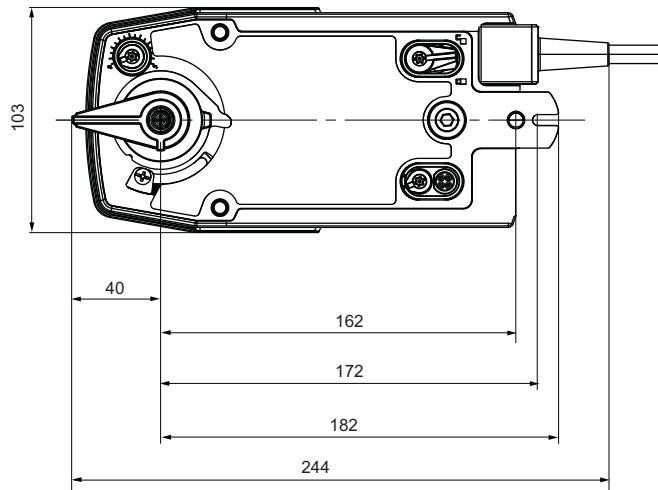
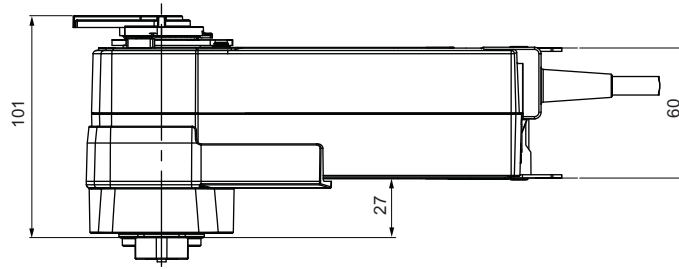
Notes:

- Caution: Power supply voltage!
 - Connection via safety isolating transformer.
 - Other actuators can be connected parallel.
- Please note the performance data.



Dimensions [mm]

SRFU24-SR-5
SRFU-5



SRFU-S2-5

