

- General Rotary Actuators for: **DN150 Butterfly Valves**
- Torque: **72Nm**
- Modulating control: **DGRVU24-SR (AC/DC 24V)**
- Open/Close or 3-point control: **DGRVU24 (AC/DC 24V)**
DGRVU230 (AC 100...240V)



Technical data

Basic technical data

	Torque	Min. 72Nm @ nominal voltage
	Angle of rotation	90°
	Direction of rotation	Pre-set ↻ to close (switch hidden under a label)
	Sound power level	~45dB(A)
	Position indicator	Mechanical, remote visible
	Running time	150s
	Mode of operation	Type 1 (EN 60730-1)
	Ambient temp.	-30...+50°C
	Non-operation temp.	-40...+80°C
	Humidity	5...95% RH, non-condensing
	Degree of protection	IP54
	EMC	CE according to 89/336/EEC
	Low voltage directive	CE according to 73/23/EEC
	Maintenance	Maintenance-free
DGRVU24-SR	Nominal voltage	AC 24V 50/60Hz, DC 24V
	Nominal voltage range	AC 19.2...28.8V / DC 21.6...28.8V
	Power consumption -running	9W
	-holding	4W
	For transformer sizing	13VA
	Connecting cable	2 cables 1m, 4x0.75mm ²
	Control signal Y	DC 2(0)...10V @ input impedance 100kΩ
	Position feedback signal U	DC 2...10V @ max. 0.5mA
	Position accuracy	±5%
	Manual override	Not allowed
DGRVU24	Protection class	III (safety extra-low voltage)
	Weight	5.0kg
	Nominal voltage	AC 24V 50/60Hz, DC 24V
	Nominal voltage range	AC/DC 19.2...28.8V
	Power consumption -running	8W
	-holding	4W
	For transformer sizing	12VA
DGRVU230	Connecting cable	2 cables 1m, 3x0.75mm ²
	Manual override	Gearing disengaged by pressing the push button, manual operation while the button is held depressed
	Protection class	III (safety extra-low voltage)
	Weight	5.0kg
DGRVU230	Nominal voltage	AC 100...240V 50/60Hz
	Nominal voltage range	AC 85...265V
	Power consumption -running	8W
	-holding	4W
	For transformer sizing	14VA
	Connecting cable	2 cables 1m, 3x0.75mm ²
	Manual override	Gearing disengaged by pressing the push button, manual operation while the button is held depressed
	Protection class	II (Totally insulated)
	Weight	5.0kg

Product features

Mode of operation

DGRVU24-SR is controlled by means of a standard control signal DC 2(0)...10V and travels to the position defined by the signal. The feedback signal U allows the valve position (0...100%) to be electrically indicated and serves as a follow-up control signal for other actuators.

Adjustable angle of rotation

Adjustable angle of rotation with mechanical end stops.

High function reliability

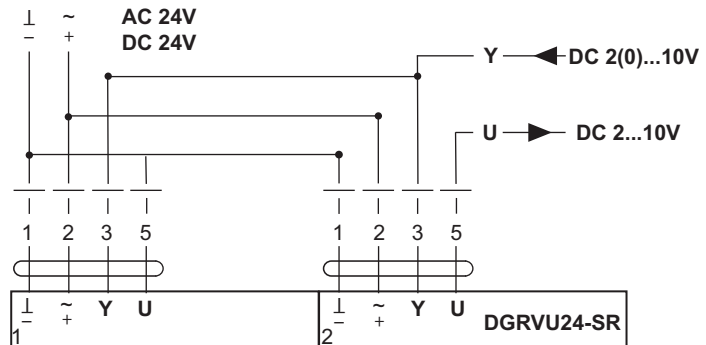
The actuator is overload-proof, requires no limit switches and stops automatically when the end stop is reached.

Wiring diagrams

DGRVU24-SR

Modulating control

Notes:
 •Connection via safety isolating transformer.
 •Other actuators can be connected in parallel.
 Please note the performance data.



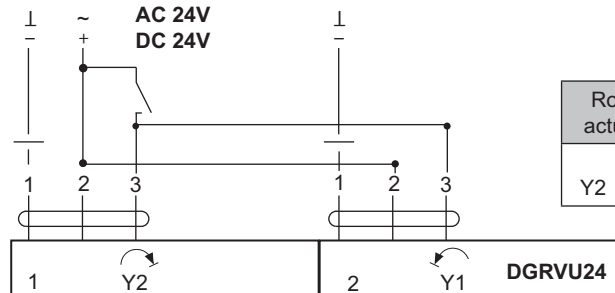
Direction of rotation



DGRVU24

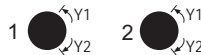
Open/Close

Notes:
 •Connection via safety isolating transformer.
 •Other actuators can be connected in parallel.
 Please note the performance data.



Rotary actuator	Rotary valve
Y2	A-AB=0%

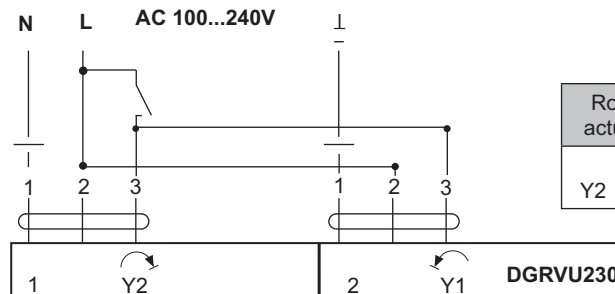
Direction of rotation



DGRVU230

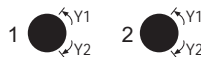
Open/Close

Notes:
 •Caution: Power supply voltage!
 •Parallel connection of other actuators possible.
 •Direction of rotation switch is covered.
 Factory setting: Direction of rotation Y2



Rotary actuator	Rotary valve
Y2	A-AB=0%

Direction of rotation



Dimensions [mm]

DGRVU24
DGRVU230
DGRVU24-SR

