

- General Rotary Actuators for: **DN100...125 Butterfly Valves**
- Torque: **40Nm**
- Modulating control: **GRU24-SR-5/-7 (AC 100...240V)**
- Open/Close control: **GRVU24-5/-7 (AC/DC 24V)**
GRVU230-5/-7 (AC/DC 24V)


Technical data

Basic technical data	Torque	Min. 40Nm @ nominal voltage
	Angle of rotation	90°
	Direction of rotation	Pre-set ↻ to close (switch hidden under a label)
	Sound power level	~45dB(A)
	Position indicator	Mechanical, remote visible
	Running time	~150s
	Mode of operation	Type 1 (EN 60730-1)
	Ambient temp.	-30...+50°C
	Non-operation temp.	-40...+80°C
	Humidity	5...95% RH, non-condensing
	Degree of protection	IP54
	EMC	CE according to 89/336/EEC
	Low voltage directive	CE according to 73/23/EEC
	Maintenance	Maintenance-free
GRVU24-SR-5/-7	Nominal voltage	AC 24V 50/60Hz, DC 24V
	Nominal voltage range	AC 19.2...28.8V / DC 21.6...28.8V
	Power consumption -running	4.5W
	-holding	1.5W
	For transformer sizing	6.5VA
	Connecting cable	Cable 1m, 4x0.75mm ²
	Control signal Y	DC 2(0)...10V @ input impedance 100kΩ
	Position feedback signal U	DC 2...10V @ max. 1mA
	Position accuracy	±5%
	Manual override	Gearing disengaged by pressing the push button, manual operation while the button is held depressed
GRVU24-5/-7	Protection class	III (safety extra-low voltage)
	Weight	2.5kg
	Nominal voltage	AC 24V 50/60Hz, DC 24V
	Nominal voltage range	AC/DC 19.2...28.8V
	Power consumption -running	4.5W
	-holding	2W
	For transformer sizing	7VA
	Connecting cable	Cable 1m, 3x0.75mm ²
	Manual override	Gearing disengaged by pressing the push button, manual operation while the button is held depressed
	Protection class	III (safety extra-low voltage)
GRVU230-5/-7	Weight	1.9kg
	Nominal voltage	AC 100...240V 50/60Hz
	Nominal voltage range	AC 85...265V
	Power consumption -running	4W
	-holding	2W
	For transformer sizing	7VA
	Connecting cable	Cable 1m, 3x0.75mm ²
	Manual override	Gearing disengaged by pressing the push button, manual operation while the button is held depressed
	Protection class	II (Totally insulated)
	Weight	1.9kg

Product features

Mode of operation

GRVU24-SR-5/-7 is controlled by means of a standard control signal DC 2(0)...10V and travels to the position defined by this signal. The feedback signal U allows the valve position (0...100%) to be electrically indicated and serves as a follow-up control signal for other actuators.

Adjustable angle of rotation

Adjustable angle of rotation with mechanical end stops.

High function reliability

The actuator is overload-proof, requires no limit switches and stops automatically when the end stop is reached.

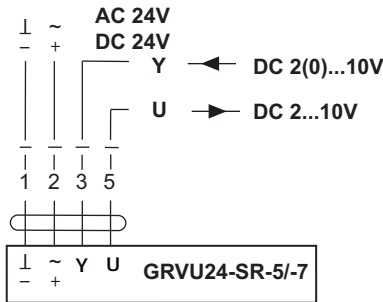
Wiring diagrams

GRVU24-SR-5/-7

Modulating control

Notes:
 •Connection via safety isolating transformer.
 •Other actuators can be connected in parallel.
 Please note the performance data.

Direction of rotation
 (factory setting, switch hidden)

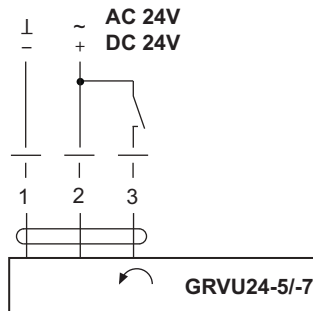


GRVU24-5/-7

Open/Close control

Notes:
 •Connection via safety isolating transformer.
 •Other actuators can be connected in parallel.
 Please note the performance data.

Direction of rotation
 (factory setting, switch hidden)

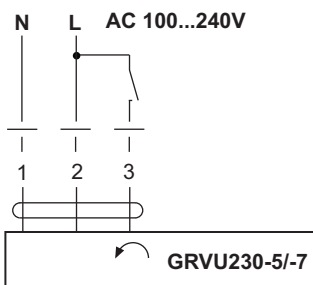


GRVU230-5/-7

Open/Close control

Notes:
 •Caution: Power supply voltage!
 •Parallel connection of other actuators possible.
 •Direction of rotation switch is covered.
 Factory setting: Direction of rotation Y2

Direction of rotation
 (factory setting, switch hidden)



Dimensions [mm]

GRVU24-5/-7
GRVU230-5/-7
GRVU24-SR-5/-7

