

- General Rotary Actuators for: DN50...80 Butterfly Valves
- Torque: 20Nm
- Modulating control: SRVU24-SR-5 (AC/DC 24V)
- Open/Close or 3-point control: SRVU24(-S)-5 (AC/DC 24V)
SRVU230(-S)-5 (AC 100...240V)



Technical data

Basic technical data

	Torque	Min. 20Nm @ nominal voltage
	Angle of rotation	90°
	Direction of rotation	Pre-set ↻ to close (switch hidden under a label)
	Sound power level	~45dB(A)
	Position indicator	Mechanical, remote visible
	Running time	90s
	Mode of operation	Type 1 (EN 60730-1)
	Ambient temp.	-30...+50°C
	Non-operation temp.	-40...+80°C
	Humidity	5...95% RH, non-condensing
	Degree of protection	IP54
	EMC	CE according to 89/336/EEC
	Low voltage directive	CE according to 73/23/EEC
	Maintenance	Maintenance-free
SRVU24-SR-5	Nominal voltage	AC 24V 50/60Hz, DC 24V
	Nominal voltage range	AC 19.2...28.8V / DC 21.6...28.8V
	Power consumption -running	2.5W
	-holding	0.4W
	For transformer sizing	5VA
	Connecting cable	Cable 1m, 4x0.75mm ²
	Control signal Y	DC 2(0)...10V @ input impedance 100kΩ
	Position feedback signal U	DC 2...10V @ max. 1mA
	Position accuracy	±5%
	Manual override	Gearing disengaged by pressing the push button, manual operation while the button is held depressed
SRVU24(-S)-5	Protection class	III (safety extra-low voltage)
	Weight	1.1kg
	Nominal voltage	AC 24V 50/60Hz, DC 24V
	Nominal voltage range	AC/DC 19.2...28.8V
	Power consumption -running	2W
	-holding	0.2W
	For transformer sizing	4VA
	Auxiliary switch (-S)	1xSPDT, 1mA...3(0.5)A, AC 250V 0...100% adjustable
	Connecting cable -motor	Cable 1m, 3x0.75mm ²
	-S	Cable 1m, 3x0.75mm ²
SRVU230(-S)-5	Manual override	Gearing disengaged by pressing the push button, manual operation while the button is held depressed
	Protection class	III (safety extra-low voltage)
	Weight	1.1kg
	Nominal voltage	AC 100...240V 50/60Hz
	Nominal voltage range	AC 85...265V
	Power consumption -running	2.5W
	-holding	0.4W
	For transformer sizing	6VA
	Auxiliary switch (-S)	1xSPDT, 1mA...3(0.5)A, AC 250V 0...100% adjustable
	Connecting cable -motor	Cable 1m, 3x0.75mm ²
-S	Cable 1m, 3x0.75mm ²	
SRVU230(-S)-5	Manual override	Gearing disengaged by pressing the push button, manual operation while the button is held depressed
	Protection class	II (Totally insulated)
	Weight	1.1kg

Product features

Mode of operation	SRVU24-SR-5 is controlled by means of a standard control signal DC 2(0)...10V and travels to the position defined by this signal. The feedback signal U allows the valve position (0...100%) to be electrically indicated and serves as a follow-up control signal for other actuators.
Adjustable angle of rotation	Adjustable angle of rotation with mechanical end stops.
High function reliability	The actuator is overload-proof, requires no limit switches and stops automatically when the end stop is reached.
Flexible signalisation	Flexible signalisation of the SRVU..-S-5 with adjustable auxiliary switch (0...100%).

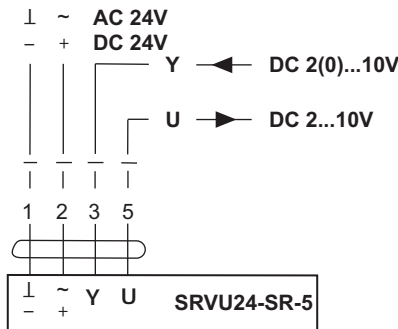
Wiring diagrams

SRVU24-SR-5

Modulating control

Notes:
 • Connection via safety isolating transformer.
 • Other actuators can be connected in parallel.
 Please note the performance data.

Direction of rotation
 (factory setting, switch hidden)



SRVU24(-S)-5

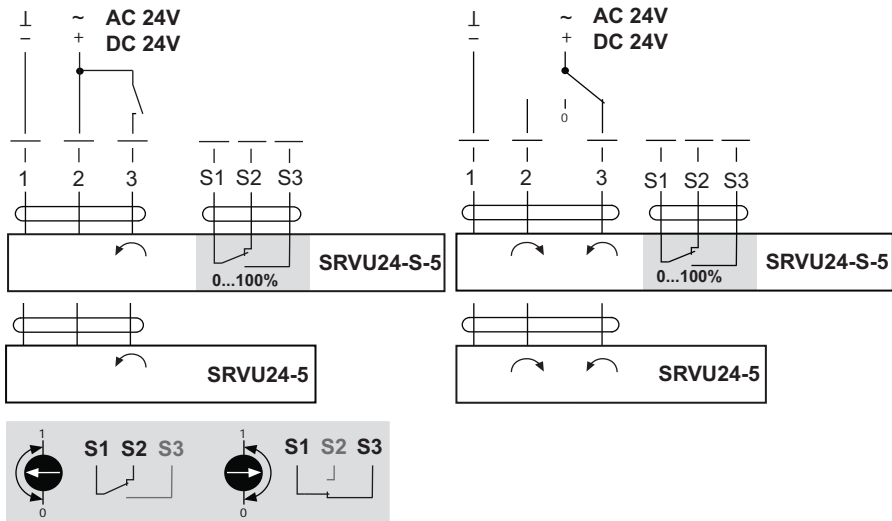
Open/Close control

3-point control

Notes:
 • Connection via safety isolating transformer.
 • Other actuators can be connected in parallel.
 Please note the performance data.

Direction of rotation
 (factory setting, switch hidden)

Auxiliary switch



Wiring diagrams (continued)

Notes:

- Caution: Power supply voltage!
- Parallel connection of other actuators possible.
- Direction of rotation switch is covered.

Factory setting: Direction of rotation Y2

Direction of rotation
(factory setting, switch hidden)

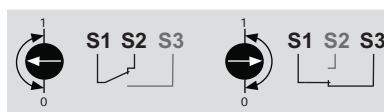
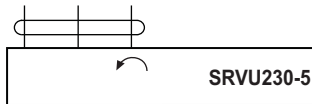
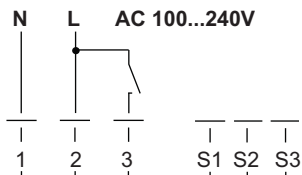


Auxiliary switch

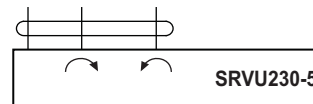
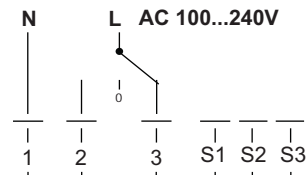


SRVU230(-S)-5

Open/Close control

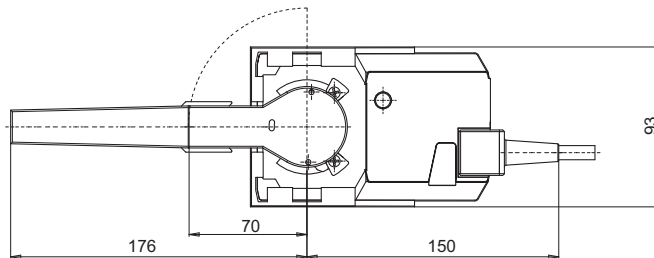
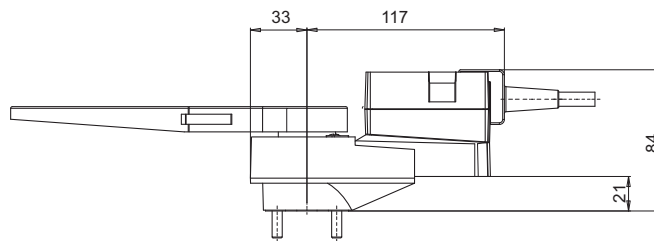


3-point control

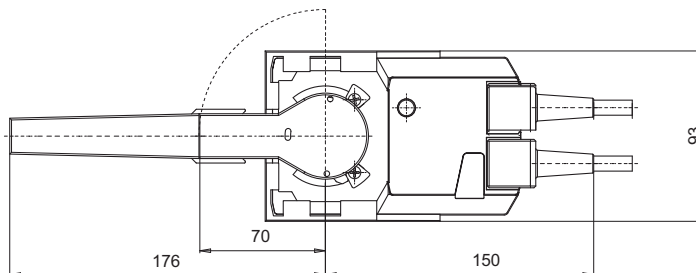
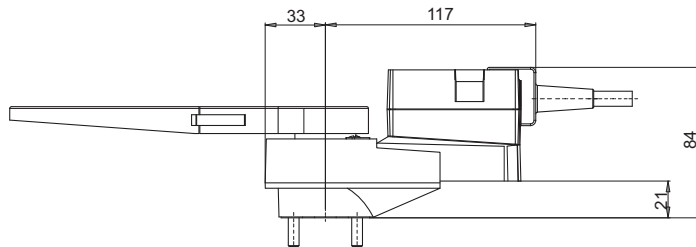


Dimensions [mm]

SRVU24-5
SRVU230-5
SRVU24-SR-5



SRVU24-S-5
SRVU230-S-5



The 2-figure position indication (lever) can be reduced to 70mm. The front part of the lever should be fixed to the cable (clip).