

- For operation of air control dampers in HVAC system
- Torque: 4Nm
- Nominal voltage: AC/DC 24V
- Control: Open/Close (not made for 3-point applications)

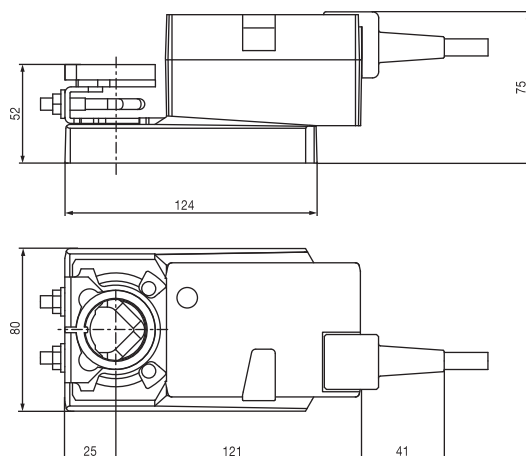

Technical data

Electrical data	Nominal voltage	AC 24V 50/60Hz, DC 24V
	Nominal voltage range	AC 19.2...28.8V / DC 21.6...28.8V
	Power consumption	13W @ running / 1.5W @ holding
	Wire sizing	23VA (I max. 20A @ 5ms)
	Connection	Cable 1m, 3x0.75mm ²
Functional data	Torque (nominal torque)	Min. 4Nm @ nominal voltage
	Direction of rotation	Reversible with switch 0 or 1
	Manual override	Gearing latch disengaged by pushbutton, self-resetting
	Angle of rotation	Max. 95° adjustable mechanical end stops
	Running time	2.5s for 90°
	Automatic adjustment of operating range and measuring signal U to match the mechanical angle of rotation	Manual triggering of the adaption by pressing the «Adaption» button
	Sound power level	52dB(A)
	Position indication	Mechanical, remote visible
	Negative torque	≤ 50% from nominal torque (with restrictions)
	Working conditions	Protection class
Degree of protection		IP54 in any mounting position, UL/NEMA 2
EMC		CE according to 2004/108/EC
Certification		cULus according to UL 60730-1A and UL 60730-2-14 and CAN/CSA E60730-1:02 Certified to IEC/EN 60730-1 and IEC/EN 60730-2-14
Mode of operation		Type 1 (EN 60730-1)
Dimensions / weight	Ambient temperature	-30...+40°C (without restrictions) +40...+50°C (with restrictions)
	Non-operation temperature	-40...+80°C
	Humidity test	95%RH, non condensing (EN 60730-1)
Dimensions / weight	Maintenance	Maintenance-free
	Dimensions (LxWxH)	187x80x75mm
	Weight	Approximately 850g

Dimensions [mm]

Damper spindle	Length			
	≥40	8 ... 26.7	≥8	≤26.7
	≥20	8 ... 20	≥8	≤20

* Option (accessory K-NA)



- For operation of air control dampers in HVAC system
- Torque: 4Nm
- Nominal voltage: AC/DC 24V
- Control modulating: DC 2(0)...10V
- Position feedback: DC 2...10V



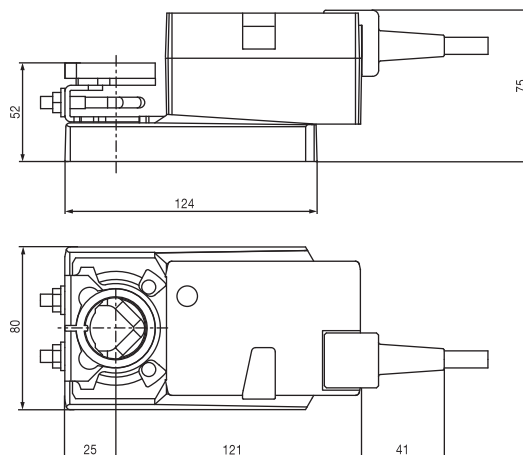
Technical data

Electrical data	Nominal voltage	AC 24V 50/60Hz, DC 24V
	Nominal voltage range	AC 19.2...28.8V / DC 21.6...28.8V
Functional data	Power consumption	13W @ running / 1.5W @ holding
	Wire sizing	23VA (I max. 20A @ 5ms)
	Connection	Cable 1m, 4x0.75mm ²
	Torque (nominal torque)	Min. 4Nm @ nominal voltage
	Control signal	DC 2(0)...10V, input impedance 100kΩ
	Feedback signal	DC 2...10V, max. 0.5mA
	Position accuracy	±5%
	Direction of rotation	Reversible with switch 0/1
	Direction of motion at Y = 0 V	At switch position 0 ↺ resp. 1 ↻
	Manual override	Gearing latch disengaged by pushbutton, self-resetting
	Angle of rotation	Max. 95° ↺ adjustable mechanical stops
	Running time	2.5s for 90°
Working conditions	Automatic adjustment of operating range and measuring signal U to match the mechanical angle of rotation	Manual triggering of the adaption by pressing the «Adaption» button
	Override control	MAX (maximum position) = 100% MIN (minimum position) = 0% ZS (intermediate position, only AC) = 50%
	Sound power level	52dB(A)
	Position indication	Mechanical, remote visible
	Negative torque	⚠ ≤50% from nominal torque (with restrictions)
	Protection class	III (safety extra-low voltage)
	Degree of protection	IP54 in any mounting position, UL/NEMA 2
	EMC	CE according to 2004/108/EC
	Mode of operation	Type 1 to EN 60730-1
	Certification	cULus according to UL 60730-1A and UL 60730-2-14 and CAN/CSA E60730-1:02 Certified to IEC/EN 60730-1 and IEC/EN 60730-2-14
	Ambient temperature	⚠ -30...+40°C (without restrictions) +40...+50°C (with restrictions)
	Non-operation temperature	-40...+80°C
Humidity test	95%RH, non condensing (EN 60730-1)	
Maintenance	Maintenance-free	
Dimensions / weight	Dimensions (LxWxH)	187x80x75mm
	Weight	Approximately 850g

Dimensions [mm]

Damper spindle	Length	● I	■ I	◆ I
	≥40	8 ... 26.7	≥8	≤26.7
	≥20	8 ... 20	≥8	≤20

* Option (accessory K-NA)



Subject to technical changes.