

- For operation of air control dampers in HVAC system
- Torque: 20Nm
- Nominal voltage: AC/DC 24V
- Control: Open/Close or 3-point

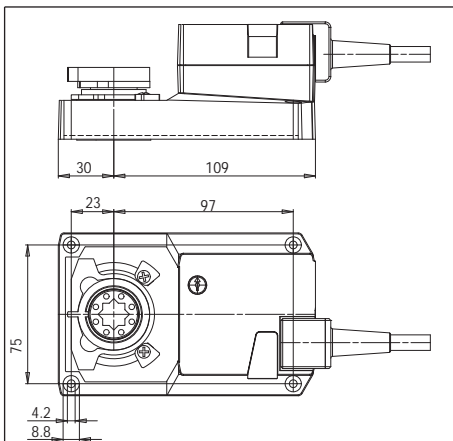


Technical data

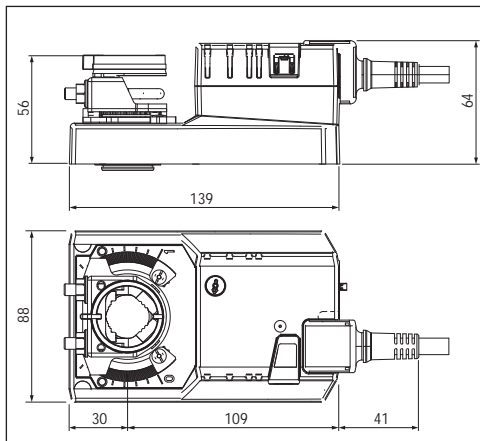
<b>Electrical data</b>	Nominal voltage	AC 24V 50/60Hz, DC 24V
	Nominal voltage range	AC/DC 19.2...28.8V
	Power consumption	2W @ running / 0.2W @ holding
	Wire/transformer sizing	4VA
	Auxiliary switch SMU24-S	1 SPDT, 1mA...3(0.5)A, AC 250V $\square$ , adjustable
	Connection : Motor	Cable 1m, 3x0.75mm <sup>2</sup>
	Auxiliary switch SMU24-S	Cable 1m, 3x0.75mm <sup>2</sup>
	Terminals SMU24-T	Max. 3x1.5mm <sup>2</sup>
<b>Functional data</b>	Torque	20Nm
	Direction of rotation	Selectable by switch
	Manual override	Gearing latch disengaged by pushbutton, self-resetting
	Angle of rotation	Max. 95°, adjustable by mechanical stops
	Running time	150s for 95°
	Sound power level	Max. 48dB(A)
	Position indication	Mechanical, remote visible
<b>Working conditions</b>	Protection class	III (safety low voltage)
	Degree of protection: SMU24(-S/-F)	IP54 in any direction
	SMU24-T	IP20
	EMC	CE according to 89/336/EEC
	Mode of operation	Type 1 to EN 60730-1
	Ambient temperature	-30...+50°C
	Non-operation temperature	-40...+80°C
	Humidity test	95% RH, non-condensing (EN 60730-1)
	Maintenance	Maintenance-free
	<b>Dimensions / weight</b>	Dimensions (LxWxH)
Shaft length		Min. 42mm (20mm for reverse mounting)
Shaft: SMU24(-S)		⌀ 10...20mm (10...26.7mm with K-ENSA - optional)
SMU24-F		12x12mm
Weight		Approximately 1050g

Dimensions [mm]

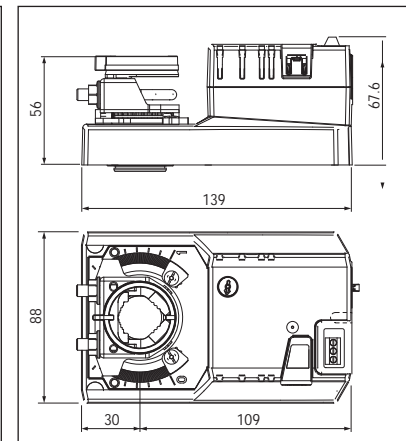
SMU24-F



SMU24(-S)



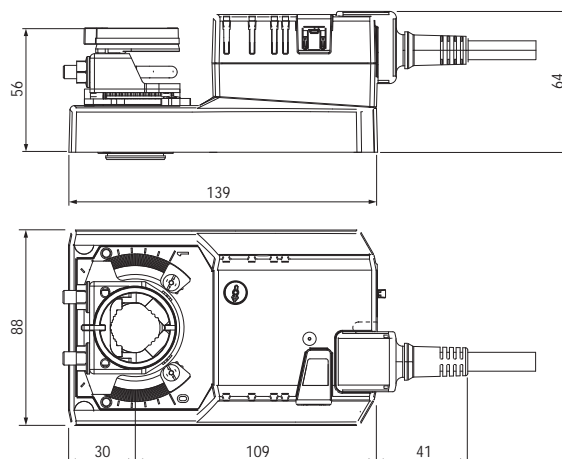
SMU24-T



- For operation of air control dampers in HVAC system
- Torque: 20Nm
- Nominal voltage: AC/DC 24V
- Control signal: DC 2(0)...10V
- Position feedback: DC 2...10V


**Technical data**

<b>Electrical data</b>	Nominal voltage	AC 24V 50/60Hz, DC 24V	
	Nominal voltage range	AC/DC 19.2...28.8V	
	Power consumption	2W @ running / 0.4W @ holding	
	Wire/transformer sizing	4VA	
<b>Functional data</b>	Connection cable	Cable 1m, 4x0.75mm <sup>2</sup>	
	Torque	20Nm	
	Control signal	DC 2(0)...10V (input impedance 100kΩ)	
	Feedback signal	DC 2...10V	
	Position accuracy	±5%	
	Direction of rotation	Selectable by switch	
	Manual override	Gearing latch disengaged by pushbutton, self-resetting	
	Angle of rotation	Max. 95°, adjustable by mechanical stops	
	Running time	150s for 95°	
	Sound power level	Max. 48dB(A)	
	<b>Working conditions</b>	Position indication	Mechanical, remote visible
		Protection class	III (safety low voltage)
Degree of protection		IP54 in any direction	
EMC		CE according to 89/336/EEC	
Mode of operation		Type 1 to EN 60730-1	
Ambient temperature		-30...+50°C	
Non-operation temperature		-40...+80°C	
Humidity test		95% RH, non-condensing (EN 60730-1)	
<b>Dimensions / weight</b>	Maintenance	Maintenance-free	
	Dimensions (LxWxH)	180x88x64mm	
	Shaft length	Min. 42mm (20mm for reverse mounting)	
	Shaft	⌀ 10...20mm (10...26.7mm with K-ENSA - optional)	
	Weight	Approximately 1050g	

**Dimensions [mm]**


- For operation of air control dampers in HVAC system
- Torque: 20Nm
- Nominal voltage: AC 100...240V
- Control: Open/Close or 3-point

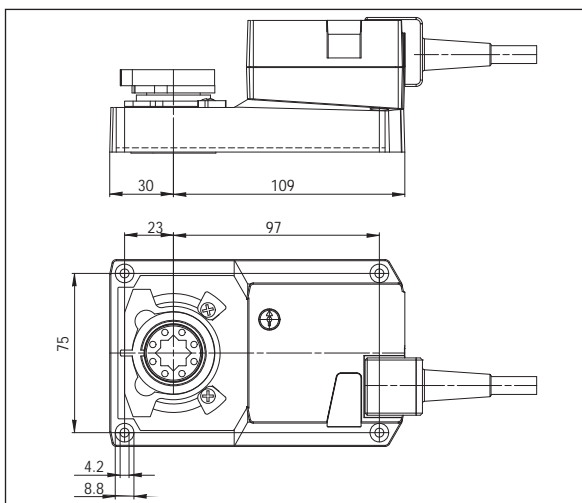


Technical data

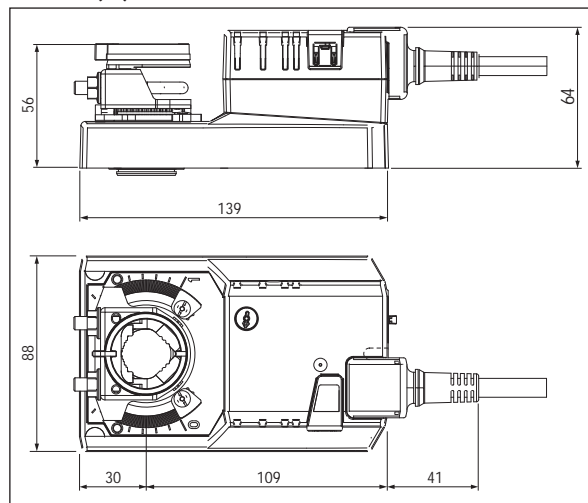
<b>Electrical data</b>	Nominal voltage	AC 100...240V 50/60Hz
	Nominal voltage range	AC 85...265V
	Power consumption	2.5W @ running / 0.6W @ holding
	Wire/transformer sizing	6VA
	Auxiliary switch SMU230-S	1 SPDT, 1mA...3(0.5)A, AC 250V <input type="checkbox"/> , adjustable
<b>Functional data</b>	Connection : Motor	Cable 1m, 3x0.75mm <sup>2</sup>
	Auxiliary switch SMU230-S	Cable 1m, 3x0.75mm <sup>2</sup>
	Torque	20Nm
	Direction of rotation	Selectable by switch
	Manual override	Gearing latch disengaged by pushbutton, self-resetting
	Angle of rotation	Max. 95°, adjustable by mechanical stops
	Running time	150s for 95°
	Sound power level	Max. 48dB(A)
	Position indication	Mechanical, remote visible
	<b>Working conditions</b>	Protection class
Degree of protection		IP54 in any direction
EMC		CE according to 89/336/EEC
Low voltage directive		CE according to 73/23/EEC
Mode of operation		Type 1 to EN 60730-1
Ambient temperature		-30...+50°C
Non-operation temperature		-40...+80°C
<b>Dimensions / weight</b>	Humidity test	95% RH, non-condensing (EN 60730-1)
	Maintenance	Maintenance-free
	Dimensions (LxWxH)	See 'Dimensions'
	Shaft length	Min. 42mm (20mm for reverse mounting)
	Shaft: SMU230(-S)	⌀ 10...20mm (10...26.7mm with K-ENSA - optional)
	SMU230-F	12x12mm
	Weight	Approximately 1050g

Dimensions [mm]

SMU230-F



SMU230(-S)



- For operation of air control dampers in HVAC system
- Torque: 20Nm
- Nominal voltage: AC 100...240V
- Control signal: DC 2(0)...10V
- Position feedback: DC 2...10V


**Technical data**

<b>Electrical data</b>	Nominal voltage	AC 100...240V 50/60Hz
	Nominal voltage range	AC 85...265V
	Power consumption	3.5W @ running / 1W @ holding
	Wire/transformer sizing	6.5VA
	Connection cable: Power supply Signals	Cable 1m, 2x0.75mm <sup>2</sup> Cable 1m, 4x0.75mm <sup>2</sup>
<b>Functional data</b>	Torque	20Nm
	Control signal	DC 2(0)...10V (input impedance 100kΩ)
	Feedback signal	DC 2...10V
	Position accuracy	±5%
	Direction of rotation	Selectable by switch
	Manual override	Gearing latch disengaged by pushbutton, self-resetting
	Angle of rotation	Max. 95°, adjustable by mechanical stops
	Running time	150s for 95°
	Sound power level	Max. 48dB(A)
	Position indication	Mechanical, remote visible
<b>Working conditions</b>	Protection class	II (totally insulated) <input type="checkbox"/>
	Degree of protection	IP54 in any direction
	EMC	CE according to 89/336/EEC
	Low voltage directive	CE according to 73/23/EEC
	Mode of operation	Type 1 to EN 60730-1
	Ambient temperature	-30...+50°C
	Non-operation temperature	-40...+80°C
	Humidity test	95% RH, non-condensing (EN 60730-1)
<b>Dimensions / weight</b>	Maintenance	Maintenance-free
	Dimensions (LxWxH)	202x88x64mm
	Shaft length	Min. 42mm (20mm for reverse mounting)
	Shaft	⌀ I ⌀ 10...20mm (10...26.7mm with K-ENSA - optional)
	Weight	Approximately 1200g

**Dimensions [mm]**
