

- For operation of air control dampers in HVAC system
- Torque: 10Nm
- Nominal voltage: AC/DC 24V
- Control: Open/Close or 3-point

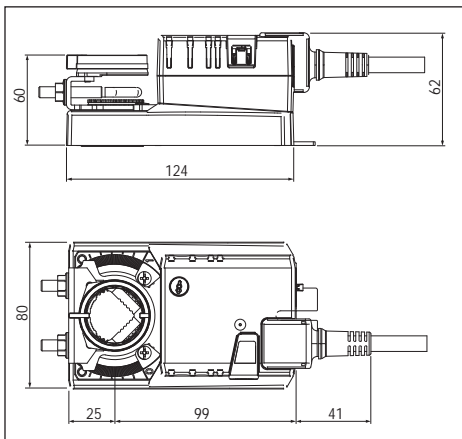


Technical data

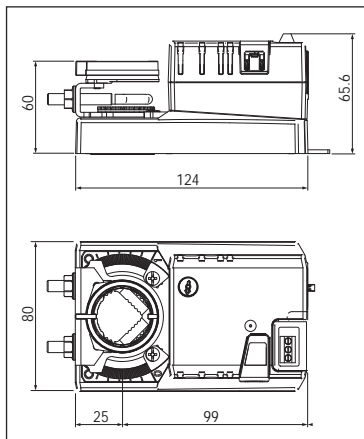
Electrical data	Nominal voltage	AC 24V 50/60Hz, DC 24V
	Nominal voltage range	AC/DC 19.2...28.8V
	Power consumption	1.5W @ running / 0.2W @ holding
	Wire/transformer sizing	3VA
	Auxiliary switch NMU24-S	1 SPDT, 1mA...3 (0.5)A, AC 250V <input type="checkbox"/> , adjustable
	Connection : Motor NMU24(-S/-F)	Cable 1m, 3x0.75mm <sup>2</sup>
	Auxiliary switch NMU24-S	Cable 1m, 3x0.75mm <sup>2</sup>
Functional data	Terminals NMU24-T	Max. 3x1.5mm <sup>2</sup>
	Torque	10Nm
	Direction of rotation	Selectable by switch
	Manual override	Gearing latch disengaged by pushbutton, self-resetting
	Angle of rotation	Max. 95°, adjustable by mechanical stops
	Running time	150s for 95°
	Sound power level	Max. 35dB(A)
Working conditions	Position indication	Mechanical, remote visible
	Protection class	III (safety low voltage)
	Degree of protection: NMU24(-S/-F)	IP54 in any direction
	NMU24-T	IP20
	EMC	CE according to 89/336/EEC
	Mode of operation	Type 1 to EN 60730-1
	Ambient temperature	-30...+50°C
Dimensions / weight	Non-operation temperature	-40...+80°C
	Humidity test	95% RH, non-condensing (EN 60730-1)
	Maintenance	Maintenance-free
	Dimensions (LxWxH)	See 'Dimensions'
	Shaft length	Min. 40mm (20mm with K-NA for reverse mounting - optional)
	Shaft: NMU24(-T/-S)	⌀ 8...26.7mm (8...20mm with K-NA)
	NMU24-F	8x8mm
Weight	Approximately 750g	

Dimensions [mm]

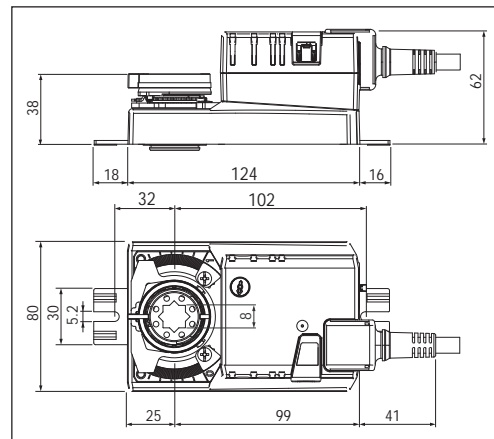
NMU24(-S)



NMU24-T



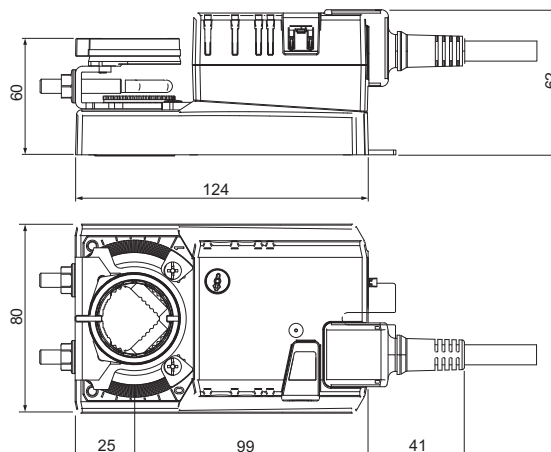
NMU24-F



- For operation of air control dampers in HVAC system
- Torque: 10Nm
- Nominal voltage: AC/DC 24V
- Control signal: DC 2(0)...10V
- Position feedback: DC 2...10V


**Technical data**

<b>Electrical data</b>	Nominal voltage	AC 24V 50/60Hz, DC 24V
	Nominal voltage range	AC/DC 19.2...28.8V
	Power consumption	2W @ running / 0.4W @ holding
	Wire/transformer sizing	4VA
	Connection	Cable 1m, 4x0.75mm <sup>2</sup>
<b>Functional data</b>	Torque	10Nm
	Control signal	DC 2(0)...10V (input impedance 100kΩ)
	Feedback signal	DC 2...10V
	Position accuracy	±5%
	Direction of rotation	Selectable by switch
	Manual override	Gearing latch disengaged by pushbutton, self-resetting
	Angle of rotation	Max. 95°, adjustable by mechanical stops
	Running time	150s for 95°
	Sound power level	Max. 35dB(A)
	Position indication	Mechanical, remote visible
<b>Working conditions</b>	Protection class	III (safety low voltage)
	Degree of protection	IP54 in any direction
	EMC	CE according to 89/336/EEC
	Mode of operation	Type 1 to EN 60730-1
	Ambient temperature	-30...+50°C
	Non-operation temperature	-40...+80°C
	Humidity test	95% RH, non-condensing (EN 60730-1)
	Maintenance	Maintenance-free
<b>Dimensions / weight</b>	Dimensions (LxWxH)	165x80x62mm
	Shaft length	Min. 40mm (20mm with K-NA for reverse mounting - optional)
	Shaft	⌀ 8...26.7mm (8...20mm with K-NA)
	Weight	Approximately 800g

**Dimensions [mm]**


- For operation of air control dampers in HVAC system
- Torque: 10Nm
- Nominal voltage: AC 100...240V
- Control: Open/Close or 3-point

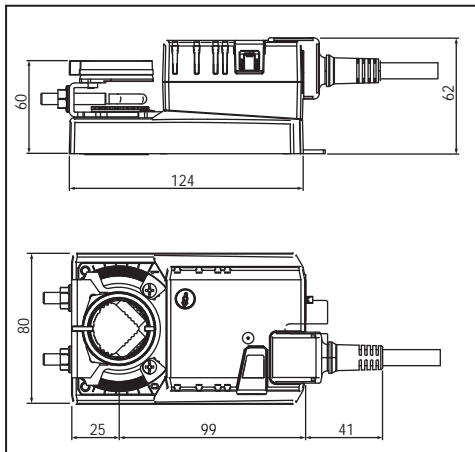


Technical data

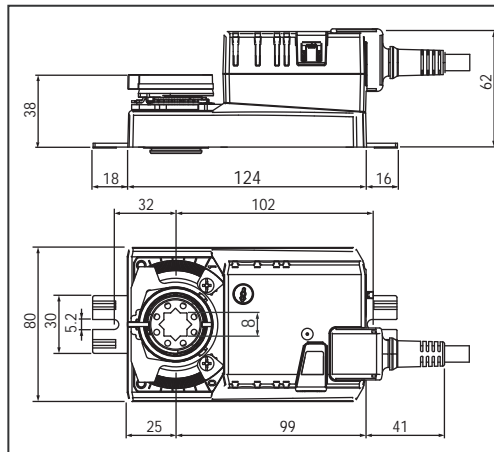
<b>Electrical data</b>	Nominal voltage	AC 100...240V 50/60Hz
	Nominal voltage range	AC 85...265V
	Power consumption	2.5W @ running / 0.6W @ holding
	Wire/transformer sizing	5.5VA
	Auxiliary switch NMU230-S	1 SPDT, 1mA...3(0.5)A, AC 250V <input type="checkbox"/> , adjustable
<b>Functional data</b>	Connection : Motor	Cable 1m, 3x0.75mm <sup>2</sup>
	Auxiliary switch NMU230-S	Cable 1m, 3x0.75mm <sup>2</sup>
	Torque	10Nm
	Direction of rotation	Selectable by switch
	Manual override	Gearing latch disengaged by pushbutton, self-resetting
	Angle of rotation	Max. 95°, adjustable by mechanical stops
	Running time	150s for 95°
	Sound power level	Max. 35dB(A)
	Position indication	Mechanical, remote visible
	<b>Working conditions</b>	Protection class
Degree of protection		IP54 in any direction
EMC		CE according to 89/336/EEC
Low voltage directive		CE according to 73/23/EEC
Mode of operation		Type 1 to EN 60730-1
Ambient temperature		-30...+50°C
Non-operation temperature		-40...+80°C
<b>Dimensions / weight</b>	Humidity test	95% RH, non-condensing (EN 60730-1)
	Maintenance	Maintenance-free
	Dimensions (LxWxH)	See 'Dimensions'
	Shaft length	Min. 40mm (20mm with K-NA for reverse mounting - optional)
	Shaft: NMU230(-S)	⌀ 8...26.7mm (8...20mm with K-NA)
	NMU230-F	8x8mm
	Weight	Approximately 800g

Dimensions [mm]

NMU230(-S)



NMU230-F



- For operation of air control dampers in HVAC system
- Torque: 10Nm
- Nominal voltage: AC 100... 240V
- Control signal: DC 2(0)...10V
- Position feedback: DC 2...10V


**Technical data**

<b>Electrical data</b>	Nominal voltage	AC 100...240V 50/60Hz
	Nominal voltage range	AC 85...265V
	Power consumption	3.5W @ running / 1W @ holding
	Wire/transformer sizing	6.5VA
	Connection cable: Power supply	Cable 1m, 2x0.75mm <sup>2</sup>
	Signals	Cable 1m, 4x0.75mm <sup>2</sup>
<b>Functional data</b>	Torque	10Nm
	Control signal	DC2(0)...10V (input impedance 100kΩ)
	Feedback signal	DC 2...10V
	Position accuracy	±5%
	Direction of rotation	Selectable by switch
	Manual override	Gearing latch disengaged by pushbutton, self-resetting
	Angle of rotation	Max. 95°, adjustable by mechanical stops
	Running time	150s for 95°
	Sound power level	Max. 35dB(A)
	Position indication	Mechanical, remote visible
<b>Working conditions</b>	Protection class	II (totally insulated) <input type="checkbox"/>
	Degree of protection	IP54 in any direction
	EMC	CE according to 89/336/EEC
	Low voltage directive	CE according to 73/23/EEC
	Mode of operation	Type 1 to EN 60730-1
	Ambient temperature	-30...+50°C
	Non-operation temperature	-40...+80°C
	Humidity test	95% RH, non-condensing (EN 60730-1)
	Maintenance	Maintenance-free
	<b>Dimensions / weight</b>	Dimensions (LxWxH)
Shaft length		Min. 40mm (20mm with K-NA for reverse mounting - optional)
Shaft		⌀ 8...26.7mm (8...20mm with K-NA)
Weight		Approximately 950g

**Dimensions [mm]**
