

- For operation of air control dampers in HVAC system
- Torque: 5Nm
- Nominal voltage: AC/DC 24V
- Control: Open/Close or 3-point

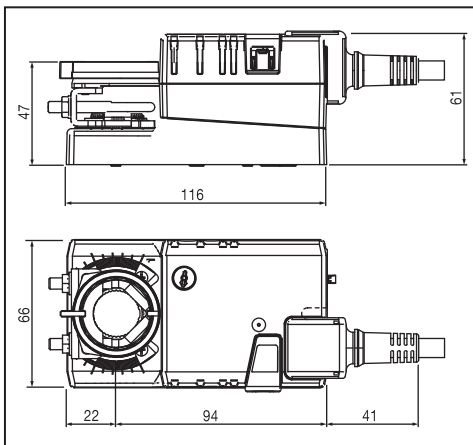


Technical data

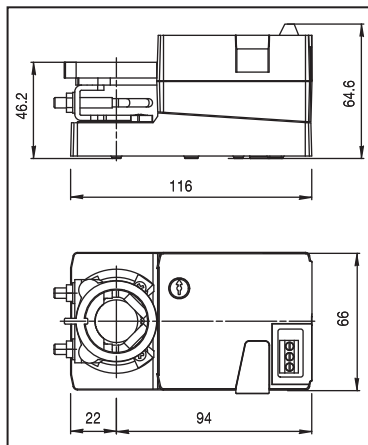
Electrical data	Nominal voltage	AC 24V 50/60Hz, DC 24V
	Nominal voltage range	AC/DC 19.2...28.8V
	Power consumption	1W running / 0.2W @ holding
	Wire/tranformer sizing	1.5VA
	Auxiliary switch LMU24-S	1 SPDT, 1mA...3(0.5)A, AC 250V <input type="checkbox"/> , adjustable
	Connection: Motor LMU24(-S/-F) Auxiliary switch LMU24-S Terminals LMU24-T	Cable 1m, 3x0.75mm ² Cable 1m, 3x0.75mm ² Max. 3x1.5mm ²
Functional data	Torque	5Nm
	Direction of rotation	Selectable by switch
	Manual override	Gearing latch disengaged by pushbutton, self-resetting
	Angle of rotation	Max. 95°, adjustable by mechanical stops
	Running time	150s for 95°
	Sound power level	Max. 35dB(A)
Working conditions	Position indication	Mechanical, remote visible
	Protection class	III (safety low voltage)
	Degree of protection: LMU24(-S/-F) LMU24-T	IP54 in any direction IP20
	EMC	CE according to 89/336/EEC
	Mode of operation	Type 1 to EN 60730-1
	Ambient temperature	-30...+50°C
Dimensions / weight	Non-operation temperature	-40...+80°C
	Humidity test	95% RH, non-condensing (EN 60730-1)
	Maintenance	Maintenance-free
	Dimensions (LxWxH)	See 'Dimensions'
	Shaft length	Min. 37mm
	Shaft : LMU24(-T/S) LMU24-F	6...20mm 8x8mm
Weight	Approximately 500g	

Dimensions [mm]

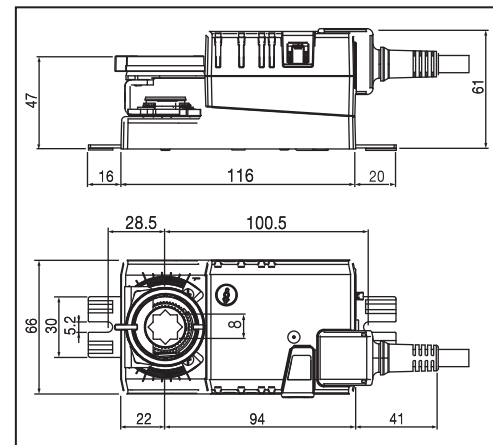
LMU24(-S)



LMU24-T



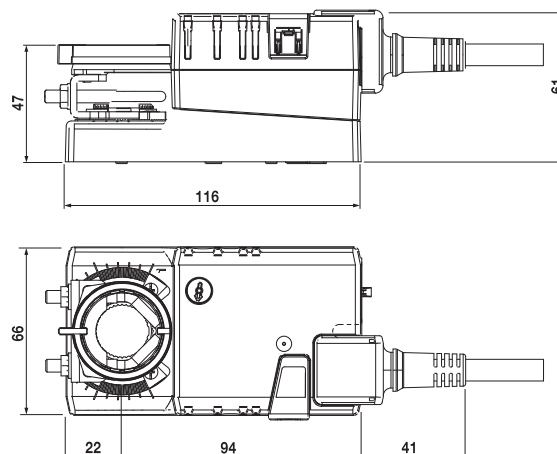
LMU24-F



- For operation of air control dampers in HVAC system
- Torque: 5Nm
- Nominal voltage: AC/DC 24V
- Control signal: DC 2(0)...10V
- Position feedback: DC 2...10V


Technical data

Electrical data	Nominal voltage	AC 24V 50/60Hz, DC 24V
	Nominal voltage range	AC/DC 19.2...28.8V
	Power consumption	1W @ running / 0.4W @ holding
	Wire/transformer sizing	2VA
Functional data	Connection	Cable 1m, 4x0.75mm ²
	Torque	5Nm
	Control signal	DC 2(0)...10V (input impedance 100kΩ)
	Feedback signal	DC 2...10V
	Position accuracy	±5%
	Direction of rotation	Selectable by switch
	Manual override	Gearing latch disengaged by pushbutton, self-resetting
	Angle of rotation	Max. 95°, adjustable by mechanical stops
	Running time	150s for 95°
	Sound power level	Max. 35dB(A)
	Position indication	Mechanical, remote visible
Working conditions	Protection class	III (safety low voltage)
	Degree of protection	IP54 in any direction
	EMC	CE according to 89/336/EEC
	Mode of operation	Type 1 to EN 60730-1
	Ambient temperature	-30...+50°C
	Non-operation temperature	-40...+80°C
	Humidity test	95% RH, non-condensing (EN 60730-1)
Dimensions / weight	Maintenance	Maintenance-free
	Dimensions (LxWxH)	157x66x60mm
	Shaft length	Min. 37mm
	Shaft	⌀I◇ 6...20mm
	Weight	500g

Dimensions [mm]


- For operation of air control dampers in HVAC system
- Torque: 5Nm
- Nominal voltage: AC 100...240V
- Control: Open/Close or 3-point

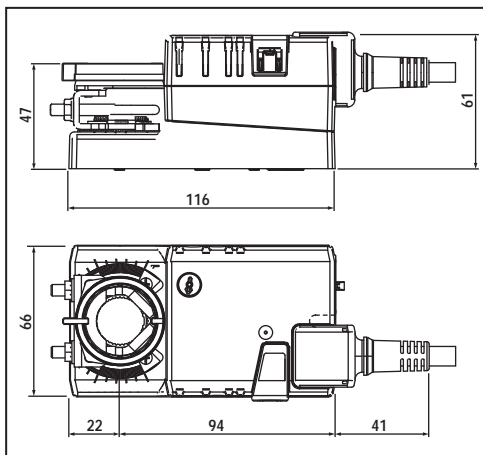


Technical data

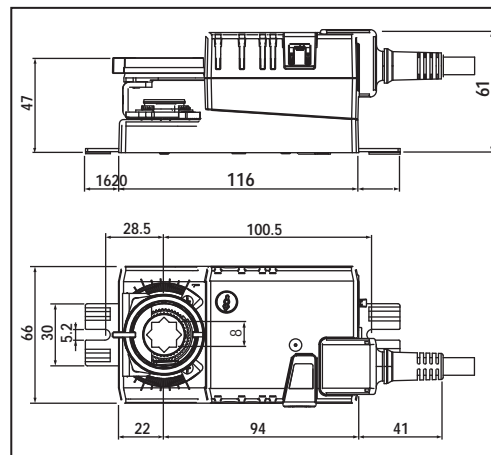
Electrical data	Nominal voltage	AC 100...240V 50/60Hz
	Nominal voltage range	AC 85...265V
	Power consumption	1.5W @ running / 0.5W @ holding
	Wire/transformer sizing	3.5VA
	Auxiliary switch LMU230-S	1 SPDT, 1mA...3(0.5)A, AC 250V <input type="checkbox"/> , adjustable
	Connection: Motor	Cable 1m, 3x0.75mm ²
	Auxiliary switch LMU230-S	Cable 1m, 3x0.75mm ²
Functional data	Torque	5Nm
	Direction of rotation	Selectable by switch
	Manual override	Gearing latch disengaged by pushbutton, self-resetting
	Angle of rotation	Max. 95°, adjustable by mechanical stops
	Running time	150s for 95°
	Sound power level	Max. 35dB(A)
	Position indication	Mechanical, remote visible
Working conditions	Protection class	II (totally insulated) <input type="checkbox"/>
	Degree of protection	IP54 in any direction
	EMC	CE according to 89/336/EEC
	Low voltage directive	CE according to 73/23/EEC
	Mode of operation	Type 1 to EN 60730-1
	Ambient temperature	-30...+50°C
	Non-operation temperature	-40...+80°C
	Humidity test	95% RH, non-condensing (EN 60730-1)
	Maintenance	Maintenance-free
	Dimensions / weight	Dimensions (LxWxH)
Shaft length: LMU230(-S)		Min. 37mm
LMU230-F		Min. 20mm
Shaft : LMU230(-S)		⌀ 6...20mm
LMU230-F		8x8mm
Weight	Approximately 550g	

Dimensions [mm]

LMU230(-S)



LMU230-F



- For operation of air control dampers in HVAC system
- Torque: 5Nm
- Nominal voltage: AC 100...240V
- Control signal: DC 2(0)...10V
- Position feedback: DC 2...10V



Technical data

Electrical data	Nominal voltage	AC 100...240V 50/60Hz
	Nominal voltage range	AC 85...265V
	Power consumption	2.0W @ running / 1W @ holding
	Wire/transformer sizing	4VA
	Connection cable: Power supply	Cable 1m, 2x0.75mm ²
	Signals	Cable 1m, 4x0.75mm ²
Functional data	Torque	5Nm
	Control signal	DC 2(0)...10V (input impedance 100kΩ)
	Feedback signal	DC 2...10V
	Position accuracy	±5%
	Direction of rotation	Selectable by switch
	Manual override	Gearing latch disengaged by pushbutton, self-resetting
	Angle of rotation	Max. 95°, adjustable by mechanical stops
	Running time	150s for 95°
	Sound power level	Max. 35dB(A)
	Position indication	Mechanical, remote visible
Working conditions	Protection class	II (totally insulated) <input type="checkbox"/>
	Degree of protection	IP54 in any direction
	EMC	CE according to 89/336/EEC
	Low voltage directive	CE according to 73/23/EEC
	Mode of operation	Type 1 to EN 60730-1
	Ambient temperature	-30...+50°C
	Non-operation temperature	-40...+80°C
	Humidity test	95% RH, non-condensing (EN 60730-1)
	Maintenance	Maintenance-free
	Dimensions / weight	Dimensions (LxWxH)
Shaft length		Min. 37mm
Shaft		⌀I◇ 6...20mm
Weight		Approximately 700g

Dimensions [mm]

