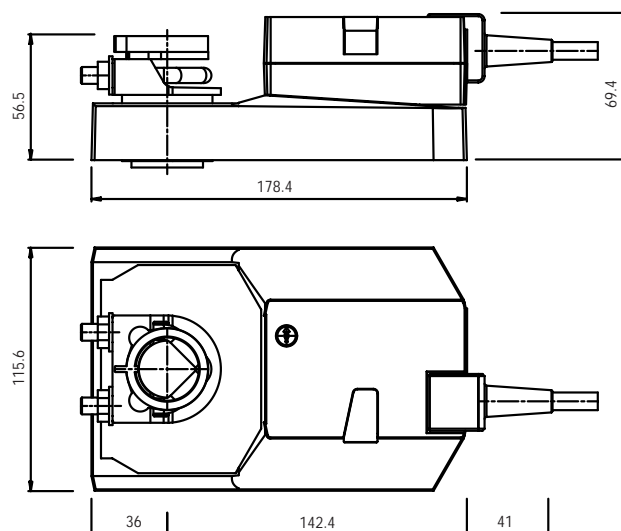


- For operation of air control dampers in HVAC system.
- Dampers up to approx. 8 m² (See 'Actuator sizing' page for detail)
- Torque 40 Nm
- Nominal voltage AC/DC 24 V
- Control: Open/Close or 3-point


Technical data

<i>Electrical data</i>	Nominal voltage	AC 24 V 50/60 Hz, DC 24 V
	Nominal voltage range	AC / DC 19.2 ... 28.8 V
	Power consumption	4 W @ running / 2 W @ holding
	Wire sizing	6 VA
	Max. peak current	2.7 A @ 5 ms
	Connection cable	Cable 1 m, 3 x 0.75 mm ²
<i>Functional data</i>	Torque	40 Nm
	Direction of rotation	selectable by switch
	Manual operation	Gearing disengaged by pressing the pushbutton, manual operate while the button is held depressed.
	Angle of rotation	max. 95°, adjustable by mechanical stops
	Running time	150 s for 95°
	Sound power level	max. 45 dB (A)
<i>Working conditions</i>	Position indication	mechanical, remote visible
	Protection class	III (safety low voltage)
	Degree of protection	IP54 in any direction
	EMC	CE according to 89/336/EEC
	Mode of operation	Type 1 to EN 60730-1
	Ambient temperature	-30 ... +50°C
	Non-operation temperature	-40 ... +80°C
	Humidity test	95% RH, non condensing (EN 60730-1)
<i>Dimensions / weight</i>	Maintenance	maintenance free
	Dimensions (L x W x H)	219 x 115.6 x 69.4 mm
	Shaft length	min. 48 mm
	Shaft	⌀ 14 ... 26.7 mm
	Weight	1550 g

Dimensions
Measurement [mm]




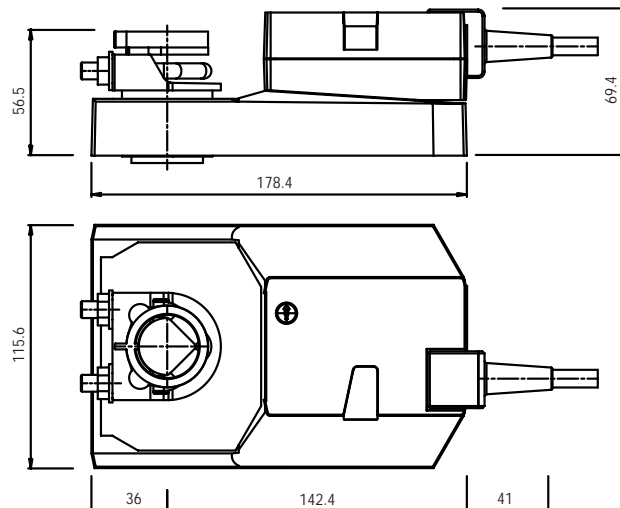
- For operation of air control dampers in HVAC system.
- Dampers up to approx. 8 m² (See 'Actuator sizing' page for detail)
- Torque 40 Nm
- Nominal voltage AC/DC 24 V
- Control: DC 0 ... 10 V
- Position feedback: DC 2 ... 10 V

Technical data

Electric data	Nominal voltage	AC 24 V 50/60 Hz, DC 24 V
	Nominal voltage range	AC/DC 19.2 ... 28.8 V
	Power consumption	4.5 W @ running / 2 W @ holding
	Wire sizing	6.5 VA
Function data	Max. peak current	8.3 A @ 5 ms
	Connection cable	Cable 1 m, 4 x 0.75 mm ²
	Torque	40 Nm
	Control signal	0...10 VDC (input impedance 100kΩ)
	Operating range	2...10 VDC
	Measurement voltage	2...10 VDC
	Direction of rotation	selectable by switch
	Manual operation	Gearing disengaged by pressing the pushbutton, manual operate while the button is held depressed.
	Angle of rotation	max. 95°, adjustable by mechanical stops
	Running time	150 s for 95°
Working conditions	Sound power level	max. 45 dB (A)
	Position indication	mechanical, remote visible
	Protection class	III (safety low voltage)
	Degree of protection	IP54 in any direction
	EMC	CE according to 89/336/EEC
	Mode of operation	Type 1 to EN 60730-1
	Ambient temperature	-30 ... +50°C
	Non-operation temperature	-40 ... +80°C
	Humidity test	95% RH, non condensing (EN 60730-1)
	Maintenance	maintenance free
Dimensions / weight	Dimensions (L x W x H)	219 x 115.6 x 69.4 mm
	Shaft length	min. 48 mm
	Shaft	⌀ 14 ... 26.7 mm
	Weight	1550 g

Dimensions

Measurement [mm]



- For operation of air control dampers in HVAC system.
- Dampers up to approx. 8 m² (See 'Actuator sizing' page for detail)
- Torque 40 Nm
- Nominal voltage AC 100...240 V
- Control: Open/Close or 3-point


Technical data

<i>Electrical data</i>	Nominal voltage	AC 100 ... 240 V, 50/60 Hz
	Nominal voltage range	AC 85 ... 265 V
	Power consumption	4 W @ running / 2 W @ holding
	Wire sizing	7 VA
	Max. peak current	3.2 A @ 230VAC
<i>Functional data</i>	Connection cable	Cable 1 m, 3 x 0.75 mm ²
	Torque	40 Nm
	Direction of rotation	selectable by switch
	Manual operation	Gearing disengaged by pressing the pushbutton, manual operate while the button is held depressed.
	Angle of rotation	max. 95°, adjustable by mechanical stops
	Running time	150 s for 95°
	Sound power level	max. 45 dB (A)
<i>Working conditions</i>	Position indication	mechanical, remote visible
	Protection class	II (Totally insulated) <input type="checkbox"/>
	Degree of protection	IP54 in any direction
	EMC	CE according to 89/336/EEC
	Low voltage directive	CE according to 73/23/EEC
	Mode of operation	Type 1 to EN 60730-1
	Ambient temperature	-30 ... +50°C
	Non-operation temperature	-40 ... +80°C
	Humidity test	95% RH, non condensing (EN 60730-1)
	Maintenance	maintenance free
<i>Dimensions / weight</i>	Dimensions (L x W x H)	219 x 115.6 x 69.4 mm
	Shaft length	min. 48 mm
	Shaft	⌀I◇14 ... 26.7 mm
	Weight	1550 g

Dimensions
Measurement [mm]
