

- For operation of air control dampers in HVAC system
- Torque: 2Nm
- Nominal voltage: AC/DC 24V
- Control: Open/Close or 3-point

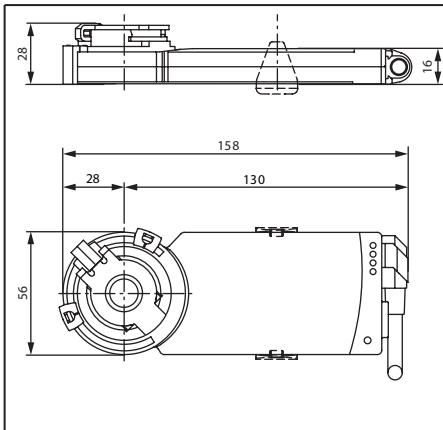


Technical data

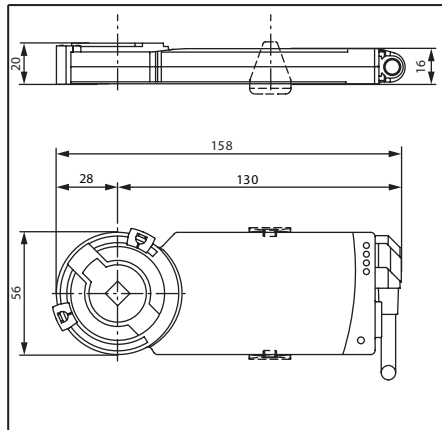
Electrical data	Nominal voltage	AC 24V 50/60Hz, DC 24V
	Nominal voltage range	AC/DC 19.2...28.8V
	Power consumption	0.5W @ nominal torque / 0.2 W @ holding
	Wire/transformer sizing	1VA
Functional data	Connection: -T Cable	Terminals for 3x1.5mm ² CU wire or 3x1.5mm ² CU litz wires 1m, 3x0.75mm ²
	Torque	2Nm
	Direction of rotation	Dependent on electrical installation
	Manual override	Gear disengagement by magnet
	Angle of rotation: Without limiters With limiters	Endless Fixed 315° ◁ or 0... 287.5° ◁ with mechanical end stops, can be adjusted in 2.5° ◁ increments
	Running time	75s/90° ◁
	Sound power level	Max. 35dB(A)
	Position indication	Mechanical, pluggable with integrated magnet for gear disengagement
Working conditions	Protection class	III (safety extra-low voltage)
	Degree of protection: Terminal(-T) Cable	IP20 IP54 in any directions
	EMC	CE according to 89/336/EEC
	Mode of operation	Type 1 to EN 60730-1
	Ambient temperature	-30...+50°C
	Non-operation temperature	-40...+80°C
	Humidity test	95%RH, non condensing (EN 60730-1)
Dimensions / weight	Maintenance	Maintenance-free
	Dimensions (L x W x H)	See "Dimensions"
	Shaft	⌀ 6...12.7mm
	Form fit (-F8) (-F10)	8x8mm 10x10mm
	Weight	Approximately 130...220g

Dimensions [mm]

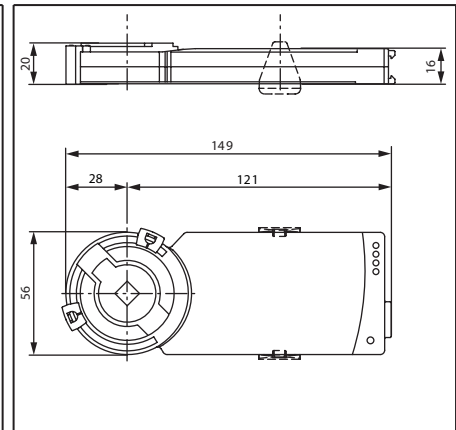
CMU24



CMU24-T



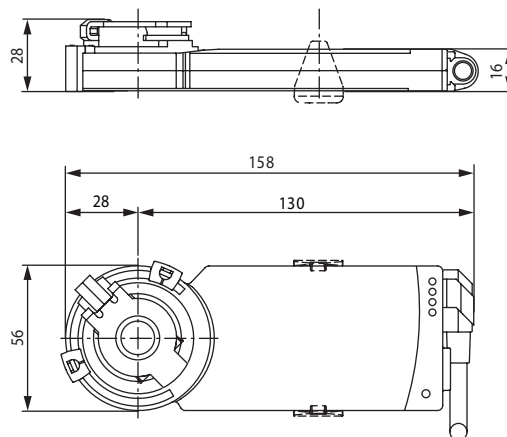
CMU24-F8-T



- For operation of air control dampers in HVAC system
- Torque: 2Nm
- Nominal voltage: AC/DC 24V
- Control signal: DC 2 (0)...10V
- Position feedback: DC 2...10V


Technical data

Electrical data	Nominal voltage	AC 24V 50/60Hz, DC 24V
	Nominal voltage range	AC/DC 19.2...28.8V
	Power consumption	1W @ nominal torque / 0.5W @ holding
	Wire/transformer sizing	2VA
	Connection	Cable 1m, 4 x 0.75mm ²
Functional data	Torque	2Nm
	Control signal	DC 2(0)...10V
	Feedback signal	DC 2...10V
	Position accuracy	±5%
	Direction of rotation	Y= 0V right end stop position
	Manual override	Gear disengagement by magnet
	Angle of rotation	Max. 95°, adjustable by mechanical steps
	Running time	75s
	Sound power level	Max. 35dB(A)
	Position indication	Mechanical, pluggable with integrated magnet for gear disengagement
Working conditions	Protection class	III (safety extra-low voltage)
	Degree of protection: Cable	IP54 in any directions
	EMC	CE according to 89/336/EEC
	Mode of operation	Type 1 to EN 60730-1
	Ambient temperature	-30...+50°C
	Non-operation temperature	-40...+80°C
	Humidity test	95%RH, non condensing (EN 60730-1)
Dimensions / weight	Maintenance	Maintenance-free
	Dimensions (L x W x H)	158x56x28mm
	Shaft diameter	⌀ 6...12.7mm
	Weight	Approximately 220g

Dimensions [mm]


- For operation of air control dampers in HVAC system
- Torque: 2Nm
- Nominal voltage: AC 100...240V
- Control: Open/Close or 3-point

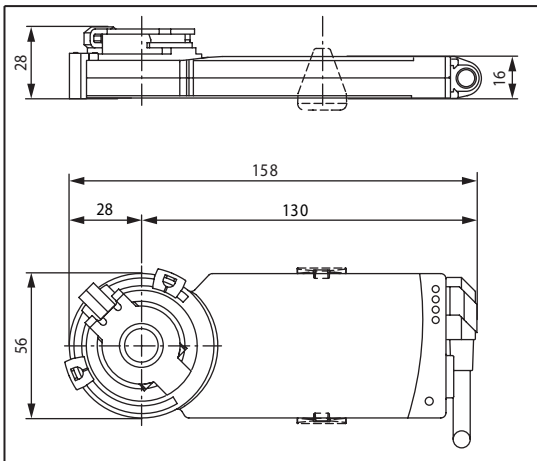


Technical data

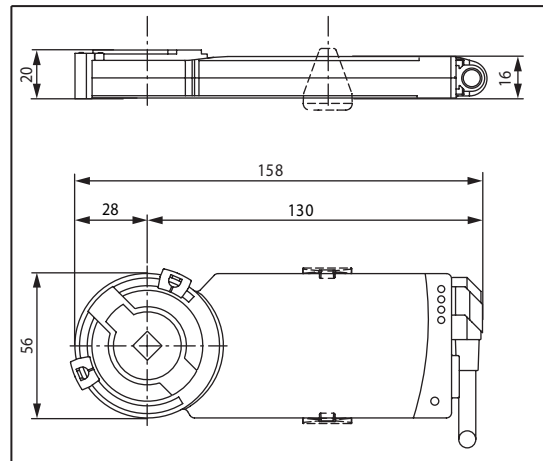
Electrical data	Nominal voltage	AC 100...240V 50/60Hz
	Nominal voltage range	AC 85...265V
	Power consumption	1.5W running / 1W @ holding
	Wire/transformer sizing	3VA
Functional data	Connection	Cable 1m, 3x0.75mm ²
	Torque	2Nm
	Direction of rotation	Dependent on electrical installation
	Manual override	Gear disengagement by magnet
	Angle of rotation: Without limiters	Endless
	With limiters	Fixed 315° ◁ or 0... 287.5° ◁ with mechanical end stops, can be adjusted in 2.5° ◁ increments
	Running time	75s/90° ◁
	Sound power level	Max. 35dB(A)
Working conditions	Position indication	Mechanical, pluggable with integrated magnet for gear disengagement
	Protection class	II (Totally insulated) □
	Degree of protection	IP54 in any directions
	EMC	CE according to 89/336/EEC
	Low voltage directive	CE according to 2006/95/EC
	Mode of operation	Type 1 to EN 60730-1
	Ambient temperature	-30...+50°C
Dimensions / weight	Non-operation temperature	-40...+80°C
	Humidity test	95%RH, non condensing (EN 60730-1)
	Maintenance	Maintenance-free
	Dimensions (L x W x H)	See "Dimensions"
	Shaft	⌀ 6...12.7mm
	Form fit (-F8)	8x8mm
	(-F10)	10x10mm
	Weight	Approximately 220g

Dimensions [mm]

CMU230



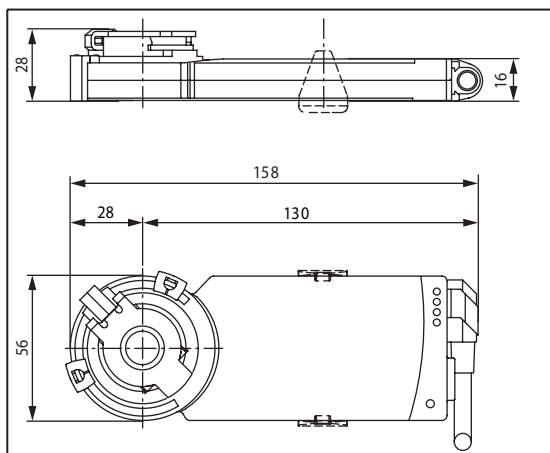
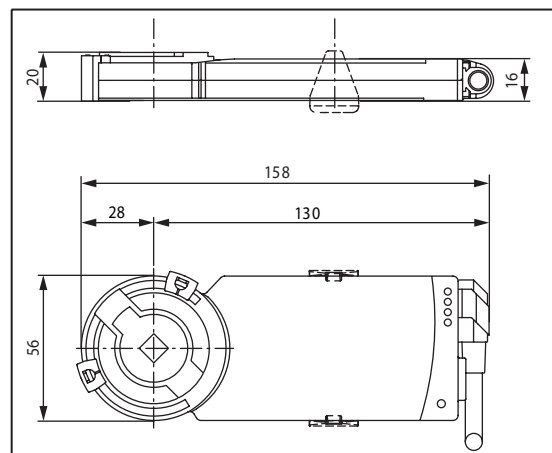
CMU230-F8



- For operation of air control dampers in HVAC system
- Torque: 2Nm
- Nominal voltage: AC 230V
- Control: Open/Close


Technical data

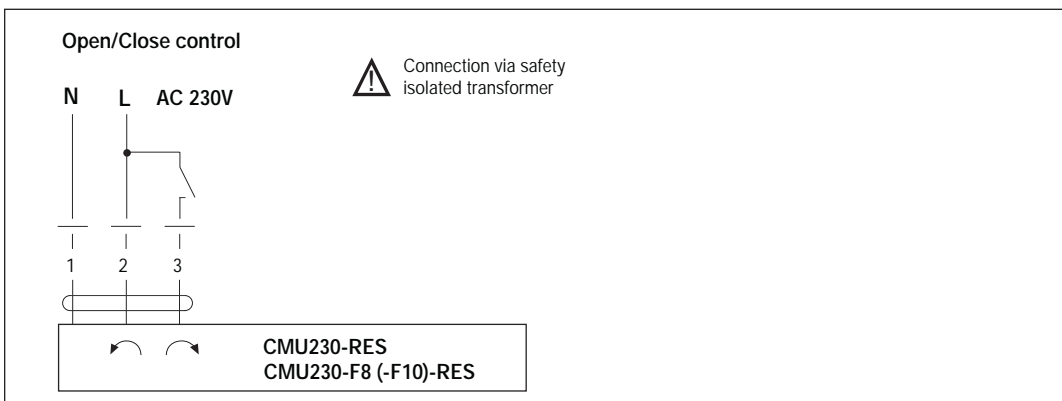
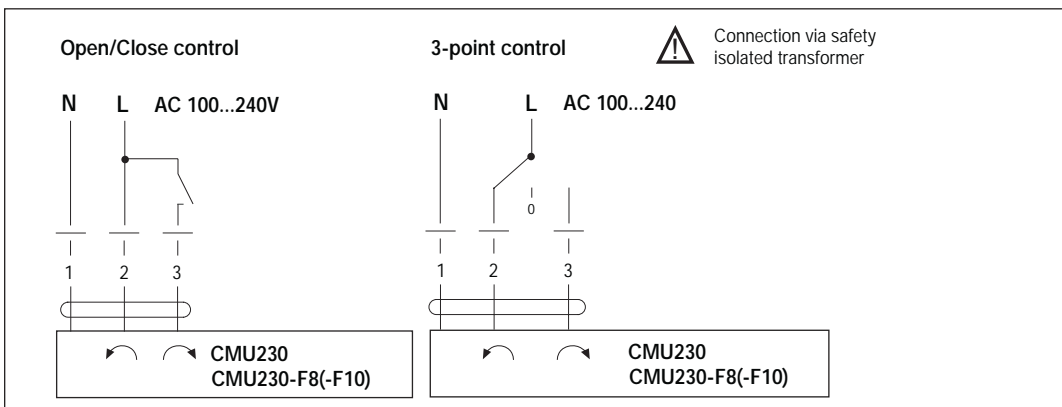
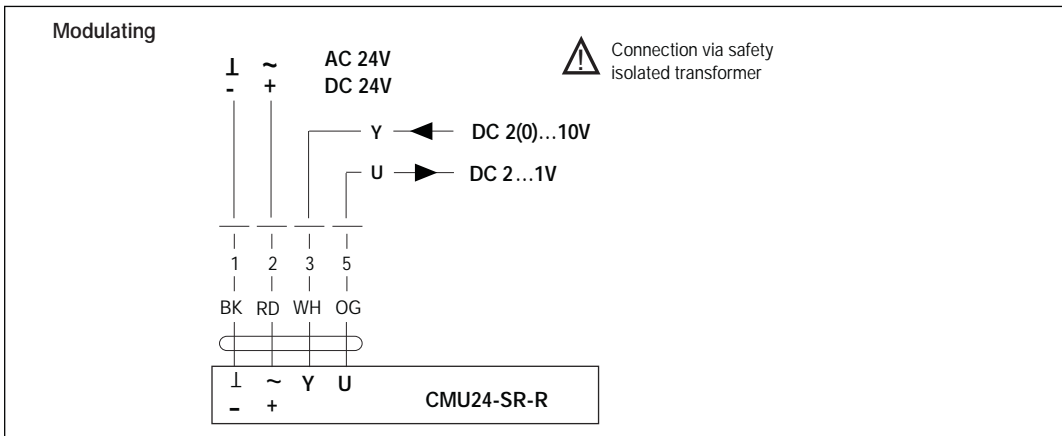
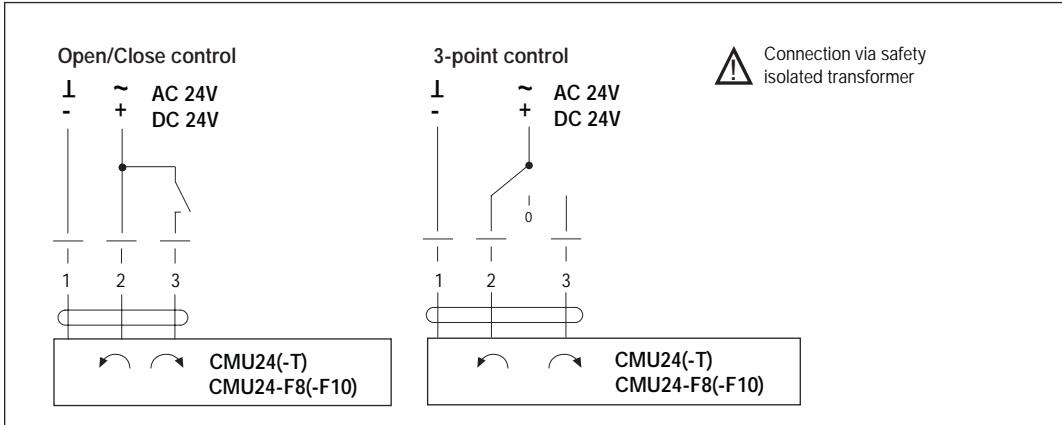
Electrical data	Nominal voltage	AC 230V 50Hz
	Nominal voltage range	AC 207...253V
	Power consumption in operation	1.5W @ nominal torque / 1.5W @ holding
	Wire/transformer sizing	8.5VA
	Connection	Cable 1m, 3x0.75mm ²
Functional data	Torque	2Nm
	Direction of rotation	Dependent on electrical installation
	Manual override	Gear disengagement by magnet
	Angle of rotation: Without limiters	Endless
	With limiters	Fixed 315° ◁ or 0...287.5° ◁ with mechanical end stops, can be adjusted in 2.5° ◁ increments
	Running time	75s/90° ◁
	Sound power level	Max. 35dB(A)
Working conditions	Position indication	Mechanical, pluggabel with integrated magnet for gear disengagement
	Protection class	II (totally insulated) □
	Degree of protection	IP 54 in any directions
	EMC	CE according to 89/336/EEC
	Low voltage directive	CE according 2006/95/EC
	Mode of operation	Type 1 to EN 60730-1
	Ambient temperature	-30...+50°C
Dimensions / weight	Non-operation temperature	-40...+80°C
	Humidity test	95%RH, non condensing (EN 60730-1)
	Maintenance	Maintenance-free
	Dimensions (L x W x H)	See "Dimensions"
	Shaft	⌀ 6...12.7mm
	Form fit (- F8)	8x8mm
	(- F10)	10x10mm
Weight	Approximately 220g	








Dimensions [mm]
CMU230-RES

CMU230-F8-RES


Wiring diagrams : CMU.. series actuators

Notes:

- Parallel connection of several actuators is possible.
- Power consumption must be observed.



		Actuators									
		CMU	LMU	NMU	SMU	GMU	TF	LF	NF	AF	AFR
 S..A.. Auxiliary switch, add-on S1A.. 1 SPDT 3A (0.5A), AC 250V S2A.. 2 SPDT 3A (0.5A), AC 250V			•	•	•	•					
			•	•	•	•					
 P..A.. Feedback potentiometer, add-on P140A.. 140Ω P500A.. 500Ω P1000A.. 1000Ω P2800A.. 2800Ω P5000A.. 5000Ω P10000A.. 10000Ω			•	•	•	•					
			•	•	•	•					
			•	•	•	•					
			•	•	•	•					
			•	•	•	•					
			•	•	•	•					
 SGA24 Positioner for surface mounting 0...100% Reversible operating range DC 0...10V or DC 2...10V		1)	1)	1)	1)	1)	1)	1)	1)	1)	1)
 SGR24 Positioner for surface mounting 0...100% Reversible operating range DC 0...10V or DC 2...10V		1)	1)	1)	1)	1)	1)	1)	1)	1)	1)
 SGE24 Positioner for rack mounting 0...100% Reversible operating range DC 0...10V or DC 2...10V		1)	1)	1)	1)	1)	1)	1)	1)	1)	1)
 SGF24 Positioner for front-panel mounting 0...100% Reversible operating range DC 0...10V or DC 2...10V		1)	1)	1)	1)	1)	1)	1)	1)	1)	1)
 ZAD24 Digital position indicator for front-panel mounting 0...99% Front size 72x72mm Operating range DC 2...10V		1)	2)	2)	2)	2)	1)	1)	1)	1)	1)

1) For...SR
 2) For...24-SR