



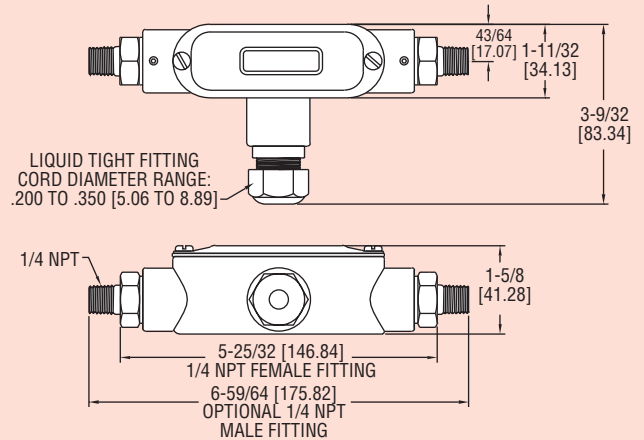
Series
629

Wet/Wet Differential Pressure Transmitter

0.5% Accuracy, NEMA 4X Enclosure



Series 629 shown with optional cable gland.



The **Series 629 Differential Pressure Transmitter** monitors differential pressure of air and compatible gases and liquids with 0.5% accuracy. The design employs dual pressure sensors converting pressure changes into a standard 4-20 mA output signal for two wire circuits. Small internal volume and minimum moving parts result in exceptional response and reliability. Terminal block, zero and span adjustments are easily accessed under the top cover. The Series 629 Differential Pressure Transmitter is designed to meet NEMA 4X (IP66) construction.

APPLICATIONS

Monitor differential pressures across:

- Flow elements
- Heat exchangers
- Filters
- Pumps
- Coils

Standard

Model	Range (psid)	Pressure Limits	
		Working* Pressure (psid)	Over Pressure (psi)
629-02-CH-P2-E5-S1	10	20	100
629-03-CH-P2-E5-S1	25	50	250
629-04-CH-P2-E5-S1	50	100	250
629-05-CH-P2-E5-S1	100	200	500

* Pressures exceeding the working pressure limit may cause a calibration shift of up to $\pm 3\%$ of full scale.

3-Way Valve Manifold Assembly

Model	Range (psid)	Pressure Limits	
		Working* Pressure (psid)	Over Pressure (psi)
629-02-CH-P2-E5-S1-3V	10	20	100
629-03-CH-P2-E5-S1-3V	25	50	100
629-04-CH-P2-E5-S1-3V	50	100	100
629-05-CH-P2-E5-S1-3V	100	100	100

SPECIFICATIONS

Service: Compatible gases & liquids.

Wetted Materials: Without valve: 316, 316L SS. Additional wetted parts with 3-way valve option: Buna-N, silicone grease, PTFE, brass 360, copper, reinforced acetal copolymer.

Accuracy: $\pm 0.5\%$ F.S. (includes linearity, hysteresis & repeatability).

Temperature Limits: 0 to 200°F (-18 to 93°C).

Compensated Temperature Limits: 0 to 175°F (-18 to 79°C).

Pressure Limits: See chart.

Thermal Effect: 0.02%/°F (0.036%/°C) includes zero & span.

Power Requirements: 13-30 VDC (2-wire).

Output Signal: 4 to 20 mA. Optional 0-5, 0-10 VDC.

Response Time: 50 msec.

Loop Resistance: 0-1300 ohms maximum for current output. For voltage outputs, minimum load resistance: 2000 ohms.

Electrical Connections: Terminal block; 1/2" female NPT conduit.

Process Connections: 1/4" female NPT.

Enclosure Rating: Designed to meet NEMA 4X (IP66).

Mounting Orientation: Not position sensitive.

Weight: 10.1 oz (286 g).

Agency Approvals: CE.

OPTIONS

-LED, 4.5 Digit LED Display

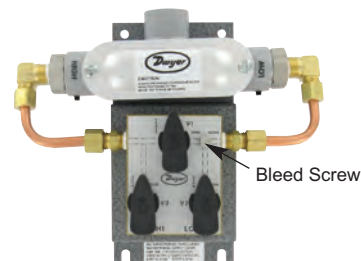
ACCESSORIES

A-131, 3-way brass manifold valve

A-132, Mounting bracket for 3-way valve

641-LED, Field-upgradeable LED

3-way valve assembly with bleed screw



629 shown with optional Red LED and cable gland.

